



TaiSol
www.taisol.com

CPU Cooler for Intel P4 Solution

CEP429151D 

3: TaiSol Box
6: Bulk Pack
9: White Box



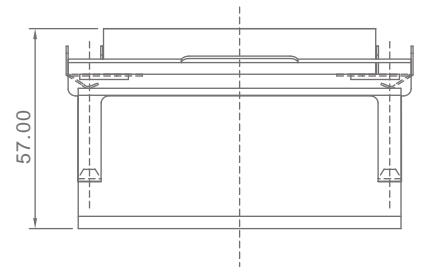
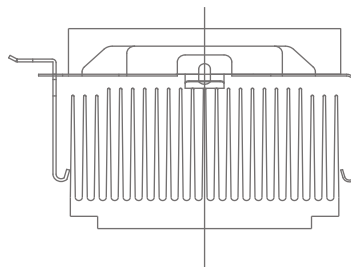
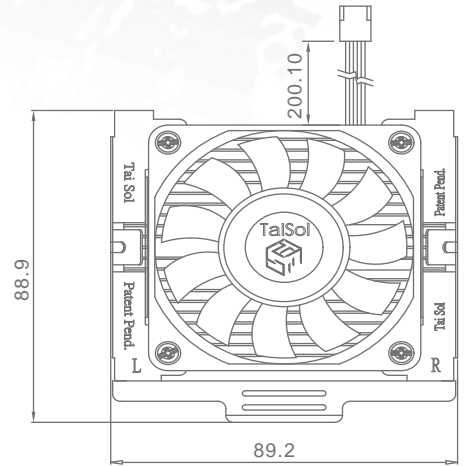
Intel Thermal Solution

- Support up to 2.8Ghz CPU
- Passed 3rd party test house requirements for Thermal 40G shock and vibration test
- Dow Corning DC340 thermal interface grease
- Proper amount of contact force on the CPU die
- Patent pending lockable level clip design makes assembly and removal a breeze !
- Retention module and back Plate not included

Efficient Low Cost Solution !

Specifications

Fan Size	70 x 70 x 13mm, 1 Ball
Rated Voltage	12 VDC
Input Current	0.22 (Max. 0.33) A
Input Power	2.64 (Max. 3.96) W
Speed	3800 RPM ± 10%
Max. Air Flow	31.0 (Min. 27.9) CFM
Fan Life	40,000Hours
Noise Level	35.0 dBA
Connector	3 Pin-Molex 2695-03 or equivalent
Approved	UL, CSA, VDE, CE
Heatsink Material	Al 6063
Finished	Degreased
Sink Dimension	83 x 69 x 40 mm
Weight	365gm



TaiSol Group Contact TaiSol for alternative fan & grease requirements !

Taiwan (HQ)
Tel: 886-2-2698-1165 Fax: 886-2-2698-1169
Email: sales@taisol.com.tw

U.S.A
Tel: 650-655-7203 Fax: 650-655-7201
Email: sales@taisol.com

Singapore (S.E. Asia)
Tel: 65-6-567-3008 Fax: 65-6-567-3088
Email: sales@taisol.com.sg

China (Dong Guan)
Tel: 86-769-532-1851 Fax: 86-769-532-1852
Email: gregjou@taisol.com.cn
China (Shanghai)
Tel: 86-21-6487-5552 Fax: 86-21-6487-5553
Email: gregjou@taisol.com.cn

THERMAL MANAGEMENT