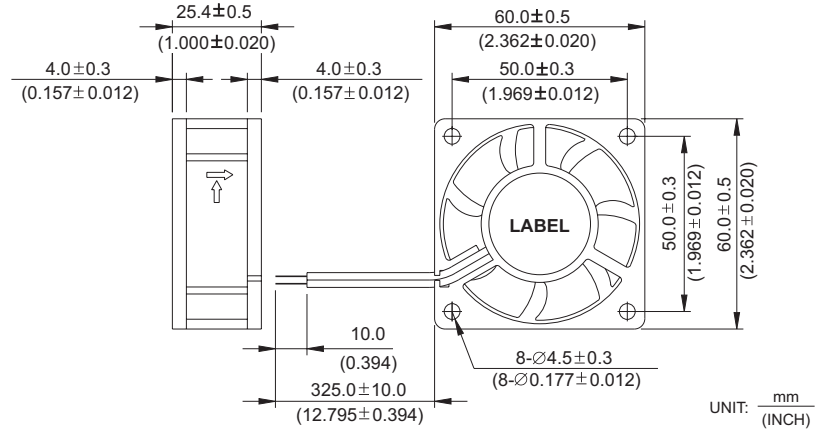


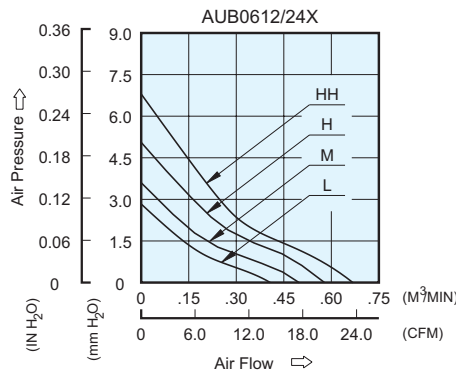
AUB 60 x 60 x 25.4 MM SERIES

DIMENSIONS DRAWING

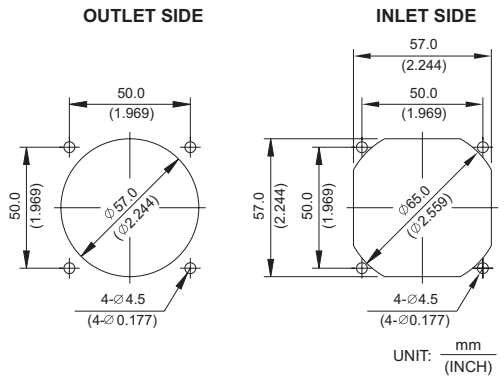


- * Bearing Type Superflo Bearing
- * Material Impeller & Frame : Plastic (UL 94V-0)
- * Lead Wires : UL 1007 AWG #24 Or Equivalent
- Red Wire Positive (+)
- Black Wire Negative (-)
- * Weight : 77g (2.72 oz)

P & Q CURVE (AT RATED VOLTAGE)



MOUNTING PANEL CUTOUT



| MODEL | | Rated Voltage | Operating Voltage Range | Rated Current | Rated Input Power | Speed | Maximum Air Flow | | Maximum Air Pressure | | Noise |
|-----------|-------------|---------------|-------------------------|---------------|-------------------|--------|----------------------|-------|----------------------|---------------------|-------|
| PART NO. | FUNCTION | VDC | VDC | Amp | Watt | R.P.M. | m ³ / min | CFM | mmH ₂ O | IN H ₂ O | dB-A |
| AUB0612L | -R00 / -F00 | 12 | 7.0 to 13.8 | 0.06 | 0.72 | 3100 | 0.400 | 14.13 | 2.74 | 0.108 | 22.5 |
| AUB0624L | -R00 / -F00 | 24 | 14.0 to 27.6 | 0.05 | 1.20 | | | | | | |
| AUB0612M | -R00 / -F00 | 12 | 7.0 to 13.8 | 0.08 | 0.96 | 3600 | 0.460 | 16.24 | 3.60 | 0.142 | 24.5 |
| AUB0624M | -R00 / -F00 | 24 | 14.0 to 27.6 | 0.06 | 1.44 | | | | | | |
| AUB0612H | -R00 / -F00 | 12 | 7.0 to 13.8 | 0.12 | 1.44 | 4250 | 0.550 | 19.42 | 4.90 | 0.193 | 28.0 |
| AUB0624H | -R00 / -F00 | 24 | 14.0 to 27.6 | 0.08 | 1.92 | | | | | | |
| AUB0612HH | -R00 / -F00 | 12 | 7.0 to 13.8 | 0.18 | 2.16 | 5000 | 0.650 | 22.95 | 6.96 | 0.274 | 33.0 |
| AUB0624HH | -R00 / -F00 | 24 | 14.0 to 27.6 | 0.09 | 2.16 | | | | | | |

* Function type is optional.
 * The max. air flow and the speed are measured in free air ; max. air pressure is measured at zero air flow.
 * Noise is measured in anechoic chamber in free air, one meter from intake side.
 * All readings are typical values at rated voltage.
 * Specifications are subject to change without notice.