



60x60x25mm

- Airflow: 14.4~31.2 CFM
- Static Pressure: 5.0~11.8 mm-H₂O
- Blade / Housing: Plastic Material UL 94V-0 P.B.T.
- Lead Wire: UL1007 #24 AWG
- Weight: 56 g

Model No.	Bearing	Rated Voltage VDC	Operating Voltage Range VDC	Speed RPM	Max. Airflow CFM	Max. Static Pressure mm-H ₂ O	Current mA	Power Consumption W	Life at 40°C L10 Hour	P-Q Curve	Noise Level dB(A)
FD126025LB	2B	12	7~13.2	3000	14.4	5.0	50	0.60	80000	5	24.9
FD126025MB	2B		7~13.2	4100	19.7	7.5	80	0.96	80000	4	31.0
FD126025HB	2B		7~13.2	5100	24.5	9.3	120	1.44	75000	3	36.0
FD126025EB	2B		7~13.2	5600	26.9	10.2	150	1.80	65000	2	38.1
FD126025EB	2B		7~13.2	6500	31.2	11.8	190	2.28	65000	1	41.0
FD246025LB	2B	24	12~26.4	3000	14.4	5.0	35	0.84	80000	5	24.9
FD246025MB	2B		12~26.4	4100	19.7	7.5	55	1.32	80000	4	31.0
FD246025HB	2B		12~26.4	5100	24.5	9.3	75	1.80	75000	3	36.0
FD246025EB	2B		12~26.4	5600	26.9	10.2	100	2.40	65000	2	38.1
FD246025EB	2B		12~26.4	6500	31.2	11.8	110	2.64	65000	1	41.0

2B: 2-ball bearing L: sintetico bearing S: sleeve bearing

Voltage Available

05 12 24 48

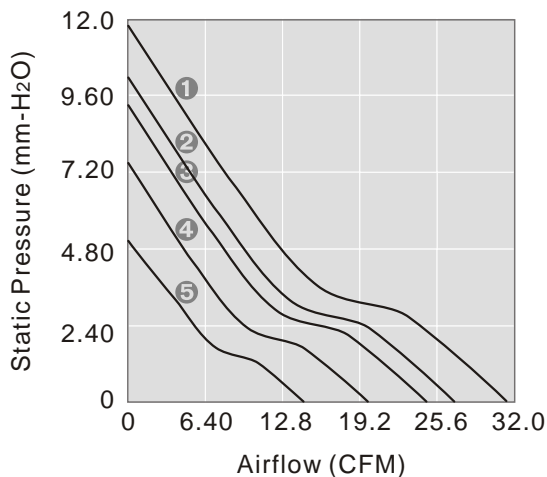
Bearing System Available

2B L S

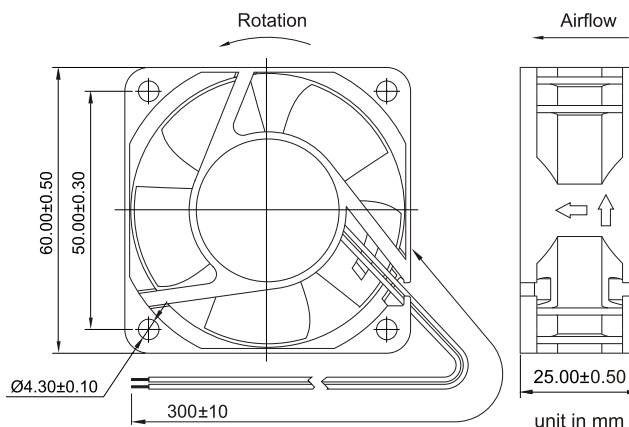
Function Available

N A I F R Q S T M V C P D W U

PERFORMANCE P-Q CURVE



OUTLINE DIMENSIONS



Please refer to *Model Numbering System* for bearing, function and speed level indication. Specifications are subject to changes without notice. Please refer to the formally issued product specification via contacting Y.S. TECH sales department. Visit Y.S. TECH web site at <http://www.ystech.com.tw> for updated information. Customized Specifications are designed accordingly