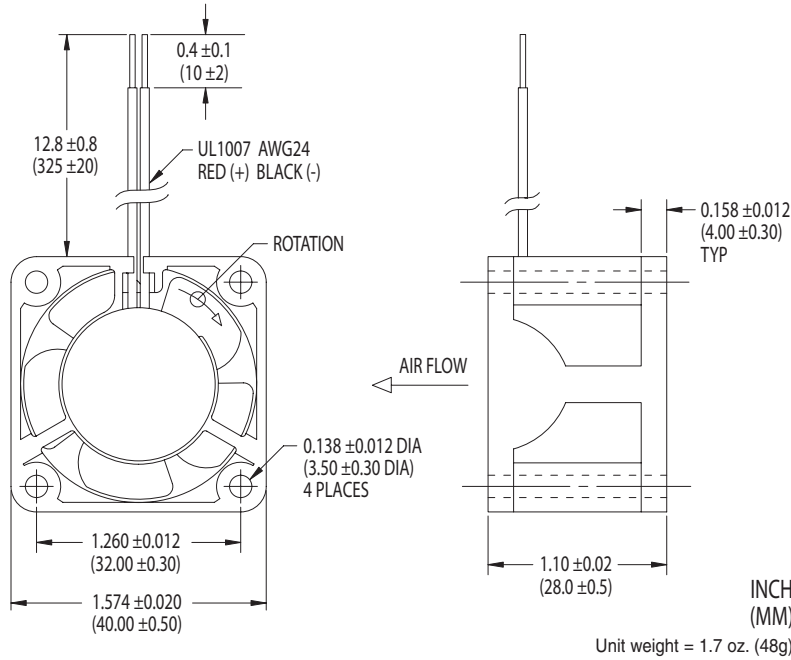


40×28mm

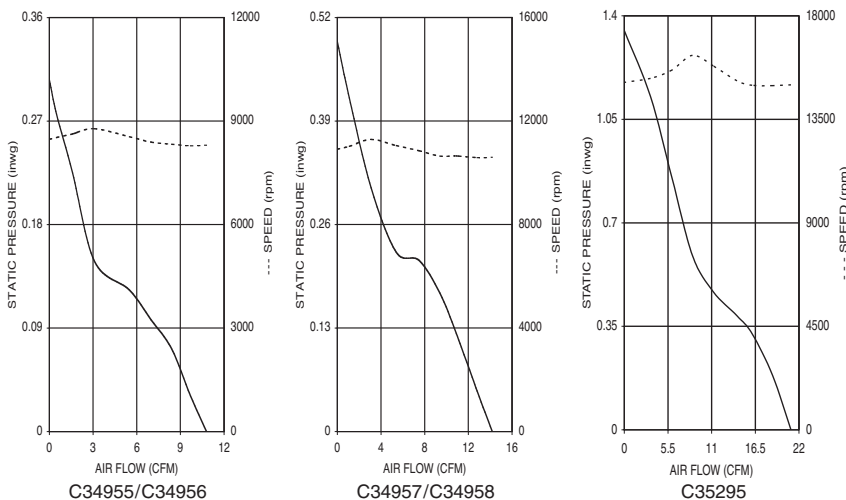


- ▶ 11 to 21 CFM Air Flow Ratings
- ▶ Enhanced Air Delivery at Elevated Static Pressure
- ▶ 12V and 24V Models
- ▶ Reverse Polarity Protection
- ▶ Strut Side Discharge
- ▶ Tachometer and Locked Rotor Alarm Options Available

WIDEBODY TA150DC Series—Electrical and Mechanical Characteristics

Model	Air Flow (CFM)	Operating Voltage		Current (mA)	Power (W)	Sound Level		Fan Speed (rpm)	Bearing	Operating Temp.	
		Nom. (V)	Range (V)			Pressure (dBA)	NPEL (Bels)			Min. (°C)	Max. (°C)
C34955	11	12	10.2-13.2	200	2.40	33.6	5.5	8,300	Ball	-10	+60
C34956	11	24	20.4-26.4	120	2.88	33.6	5.5	8,300	Ball	-10	+60
C34957	15	12	10.2-13.2	290	3.48	39.2	5.7	10,600	Ball	-10	+60
C34958	15	24	20.4-26.4	180	4.32	39.2	5.7	10,600	Ball	-10	+50
C35295	21	12	10.2-13.2	850	10.2	49.8	6.8	15,000	Ball	-10	+60

Note: Air flow, current, power, speed and sound level ratings are at nominal voltage against zero static pressure. NPEL = Noise Power Emission Level. The first character of the model name denotes housing material and mounting flange construction. (C = thermoplastic housing, closed flange, four through-hole mounting positions). Fans in this series are also available as 'B' models (thermoplastic housing with open flange, four mounting holes on the discharge side parallel to four on the inlet side). Power termination and signal options are designated by two-digit suffixes added to the model names: For color-coded 325mm power leads with stripped ends, add "-16" to the model numbers.



phone 781-848-0970 · email fans@nidecamerica.com · www.nidecamerica.com

Nidec
Nidec America Corporation

