

**60**mm sq.

# San Ace 60

15mm thick, 20mm thick, 25mm thick  
 25mm thick (San Cooler), 38mm thick (GV type)  
 38mm thick (G type)



## General Specifications With a pulse sensor

- Material ..... Frame: Plastics (Flammability: UL94V-0),  
 Impeller: Plastics (Flammability: UL94V-1)
- Life Expectancy ..... Varies for each model (L10: Survival rate: 90% at 60°C,  
 rated voltage, and continuously run in a free air state)
- Lead Wire ..... ⊕red ⊖black or blue (Sensor) yellow
- Storage Temperature ..... -30°C to +70°C (Non-condensing)

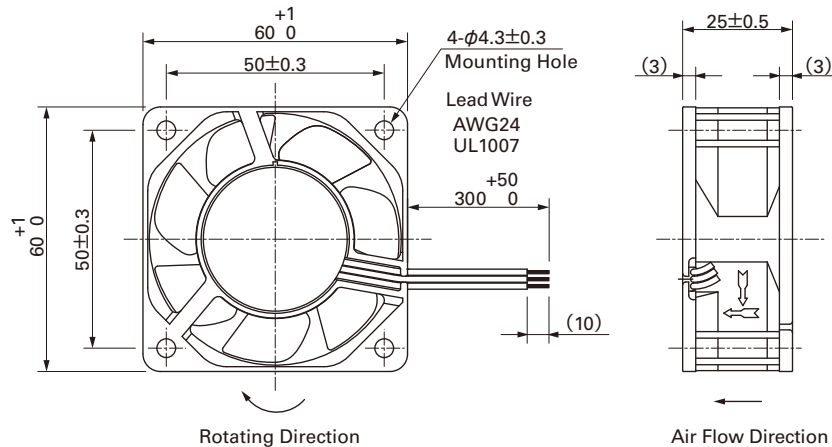
**60×60×25mm** [Mass : 90g]

## Specifications The numbers in ( ) represent ribless models.

Model No.	Rated Voltage [V]	Operating Voltage Range [V]	Rated Current [A]	Rated Input [W]	Rated Speed [min <sup>-1</sup> ]	Air Flow [m <sup>3</sup> /min] [CFM]		Static Pressure [Pa] [inchH <sub>2</sub> O]		SPL [dB(A)]	Operating Temperature [°C]	Life Expectancy [h]		
109R0605H401(4011)	5	4.5 to 5.5	0.34	1.70	3,800	0.53	18.7	40.2	0.161	28	-10 to +70	60,000		
109R0605F401(4011)			0.20	1.00	3,200	0.44	15.5	29.4	0.118	24	-10 to +60			
109R0605M401(4011)			0.13	0.65	2,600	0.36	12.7	19.6	0.079	20	-10 to +70			
109R0612J401(4011)	12	10.8 to 13.2	0.47	5.64	7,600	1.05	37.1	155.0	0.622	44	-10 to +60	40,000		
109R0612G401(4011)			0.24	2.88	5,600	0.78	27.5	88.0	0.353	39				
109R0612D401(4011)		10.2 to 13.8	0.21	2.52	5,150	0.72	25.4	73.5	0.295	37	-10 to +70		60,000	
109R0612S401(4011)			0.17	2.04	4,600	0.65	23.0	56.8	0.228	33				
109R0612H401(4011)		6 to 13.8	0.11	1.32	3,800	0.53	18.7	40.1	0.161	28				
109R0612F401(4011)			0.09	1.08	3,200	0.44	15.5	29.4	0.118	24				
109R0612M401(4011)		7 to 13.8	0.06	0.72	2,600	0.36	12.7	19.6	0.079	20				
109R0624J401(4011)		24	21.6 to 26.4	0.24	5.76	7,600	1.05	37.1	155.0	0.622	44		-10 to +60	40,000
109R0624G401(4011)			20.4 to 27.6	0.13	3.12	5,600	0.78	27.5	88.0	0.353	39			
109R0624D401(4011)	12 to 27.6		0.12	2.88	5,150	0.72	25.4	73.5	0.295	37	-10 to +70	60,000		
109R0624S401(4011)			0.08	1.92	4,600	0.65	23.0	56.8	0.228	33				
109R0624H401(4011)			0.06	1.44	3,800	0.53	18.7	40.2	0.161	28				
109R0624F401(4011)			0.05	1.20	3,200	0.44	15.5	29.4	0.118	24				
109R0624M401(4011)	14 to 27.6		0.04	0.96	2,600	0.36	12.7	19.6	0.079	20				
109R0648J401(4011)	48		43.2 to 52.8	0.12	5.76	7,600	1.05	37.1	155.0	0.622	44	-10 to +60	40,000	
109R0648G401(4011)		43 to 53	0.07	3.36	5,600	0.78	27.5	88.0	0.353	39				
109R0648H401(4011)		40 to 53	0.04	1.92	3,800	0.53	18.7	40.2	0.161	28	-10 to +70	60,000		

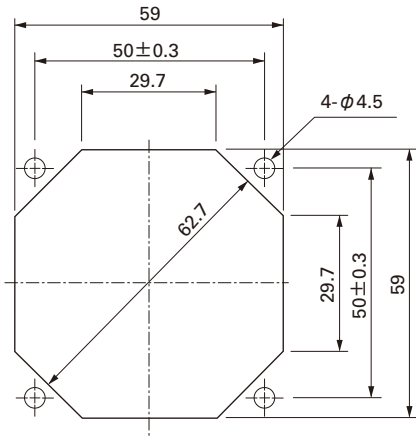
**Without Sensor** **Pulse Sensor** Available in all models. **Lock Sensor** **Low speed Sensor** **PWM Control** Please inquire as the availability of these functions depend on the model.

## Dimensions (Unit : mm) (With ribs)



**Reference dimension of mounting holes and vent opening (Unit : mm)**

Inlet side, Outlet side

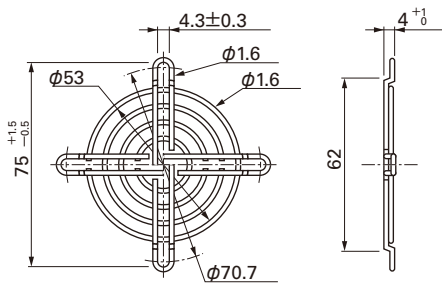


**Options (Unit : mm)**

**Finger guards**

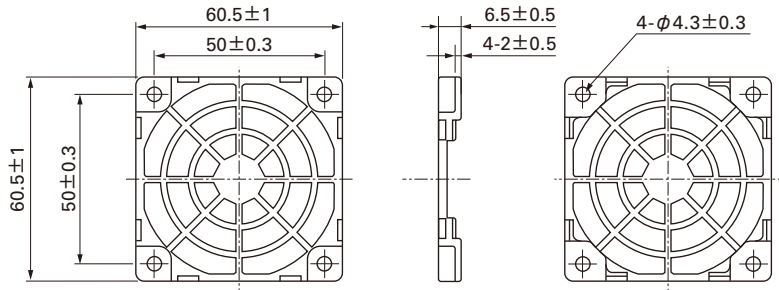
Model : 109-139E Surface treatment : Nickel-chrome plating (silver) Color : 109-139H : Cation electropainting (black)

Inlet side, Outlet side



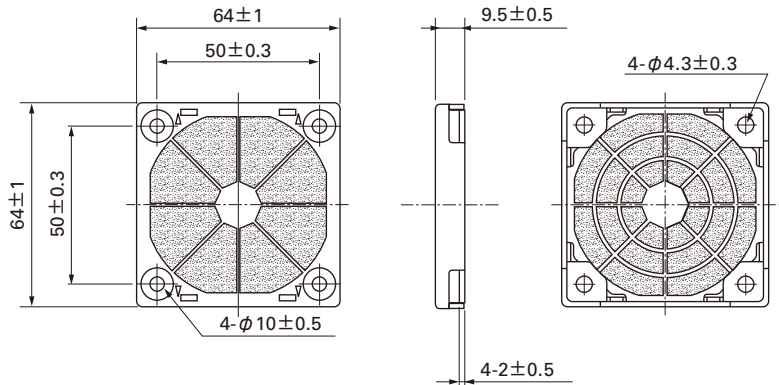
**Resin finger guards**

Model : 109-1003G



**Resin filter kits**

Model : 109-1003F13 (13PPI), 109-1003F20 (20PPI)  
: 109-1003F30 (30PPI), 109-1003F40 (40PPI)

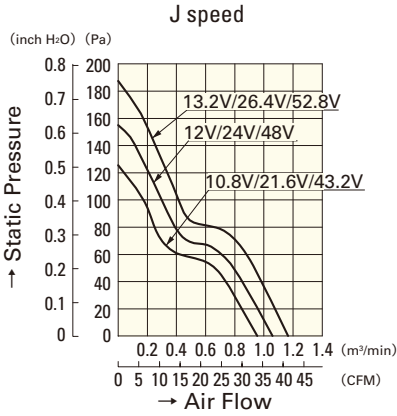


**60**mm sq.

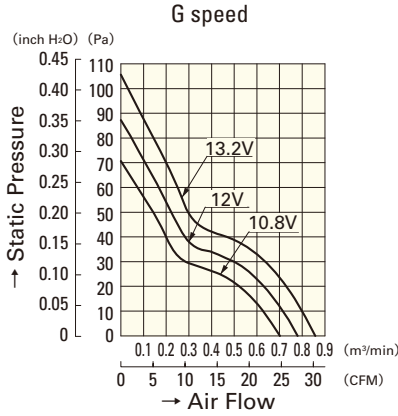
**San Ace 60**

**60×60×25mm** [Mass : 90g]

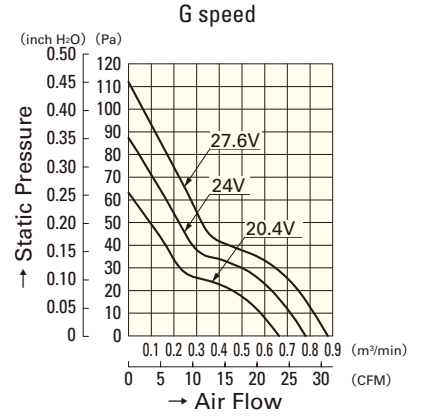
**Air Flow and Static Pressure Characteristics**



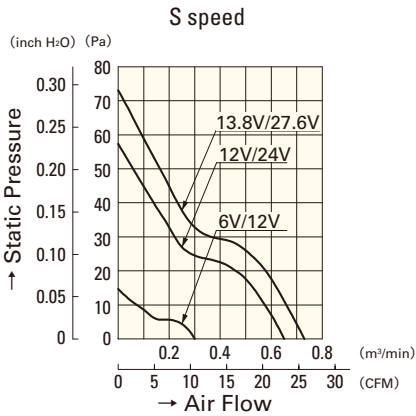
**109R0612J401(4011)**  
**109R0624J401(4011)**  
**109R0648J401(4011)**



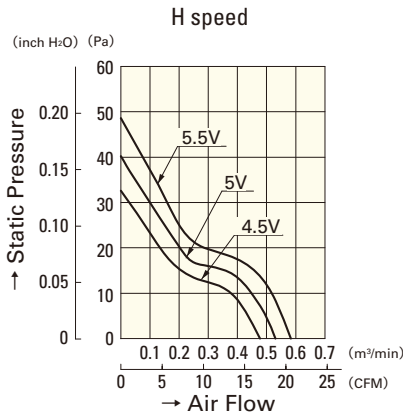
**109R0612G401(4011)**



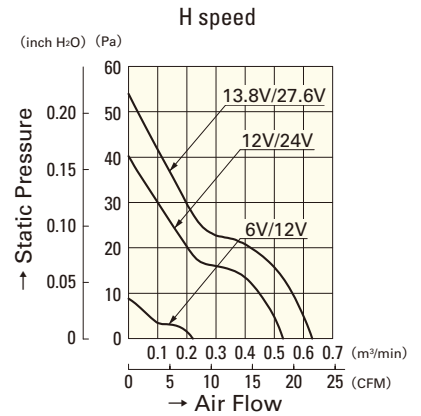
**109R0624G401(4011)**



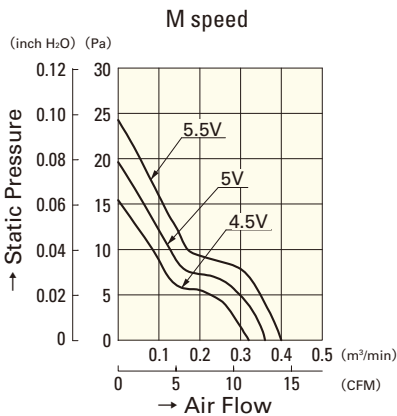
**109R0612S401(4011)**  
**109R0624S401(4011)**



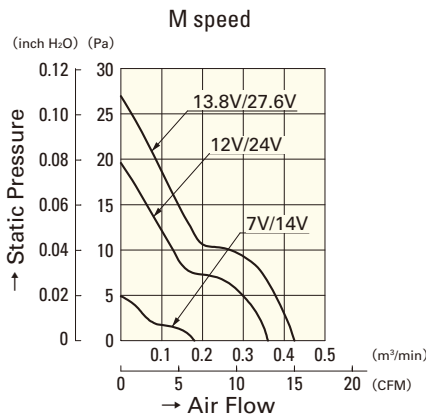
**109R0605H401(4011)**



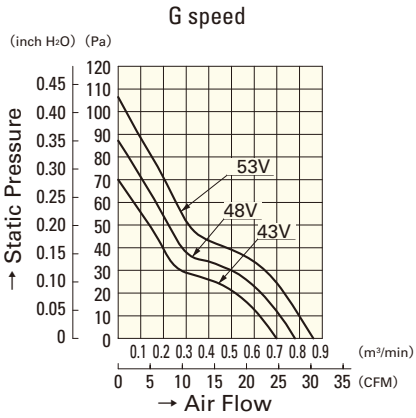
**109R0612H401(4011)**  
**109R0624H401(4011)**



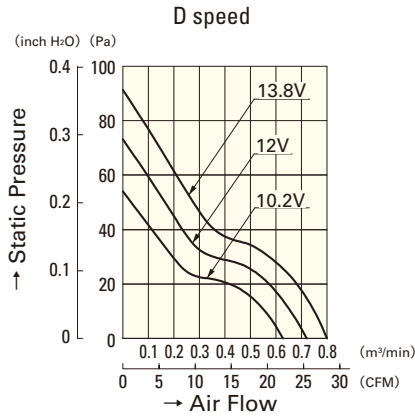
**109R0605M401(4011)**



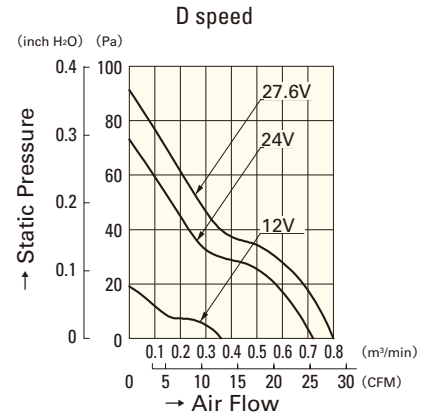
**109R0612M401(4011)**  
**109R0624M401(4011)**



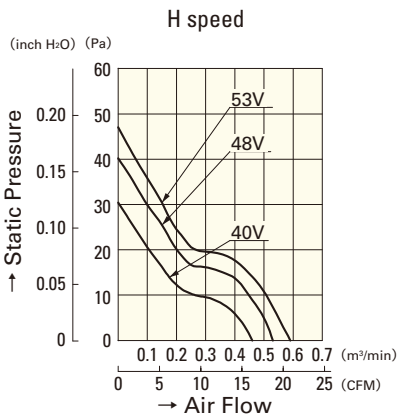
**109R0648G401(4011)**



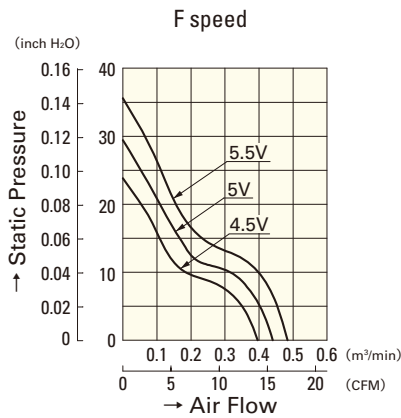
**109R0612D401(4011)**



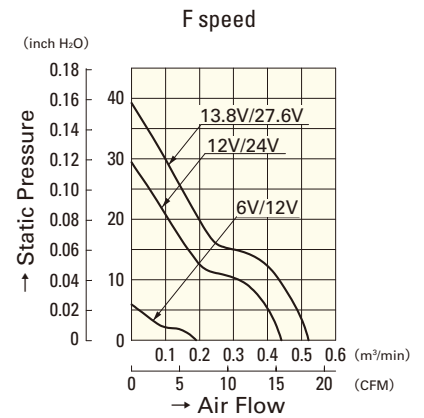
**109R0624D401(4011)**



**109R0648H401(4011)**



**109R0605F401(4011)**



**109R0612F401(4011)**

**109R0624F401(4011)**