



Standard fan San Ace 60
angle diameter 60mm 25mm thickness

PDF

The PDF file of this product
I can download

Without sensor, Ribbed

■ General Specifications

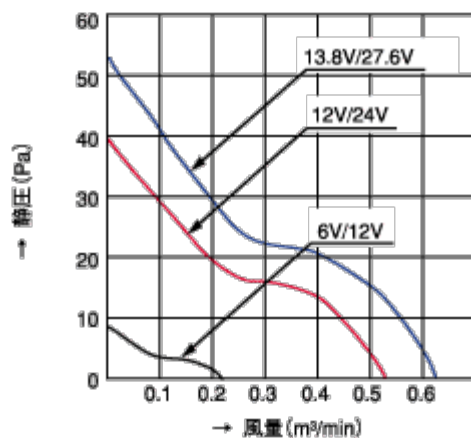
Material	(Flammability UL94V-0), Impeller resin: resin frame (flammability grade UL94V-1)
Life Expectancy	G (12V), D (12V), H, F, M, S Speed 60,000 hours 40,000 hours (24V) Speed J, G (24V, 48V), D (L10: 90% survival rate, 60 , rated voltage, continuously run in a free air state)
Motor protection system	Current cut system, reverse connection protection
Dielectric strength voltage	1 minute AC50/60Hz 500V (between lead conductor and frame)
Sound pressure level	As the value at 1m from air inlet side
Operating temperature limit	H, F (12V, 24V), G (12V, 24V), D, M, S Speed -10 ~ +70 ° C. F (5V), J, G (48V) speed -10 ~ +60
Lead Wire	(+) Red (over) black

■ Specifications

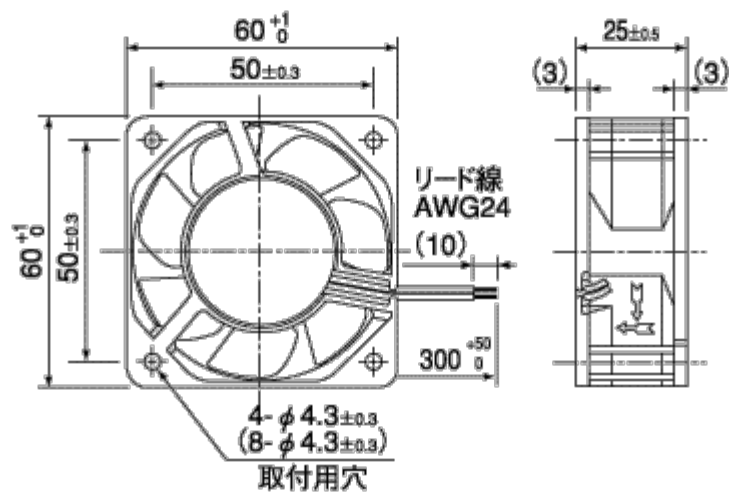
Model number	Rated voltage (V)	Operating voltage range (V)	Rated current (A)	Rated input (W)	Rated speed (min ⁻¹)	Maximum air volume (M ³ / min)	Maximum static pressure (Pa)	Sound pressure level (dB [A])	Mass (g)
109R0624H402	24	12-27.6	0.06	1.44	3800	0.53	15.8	28	Ninety

Typical air flow and static pressure characteristics

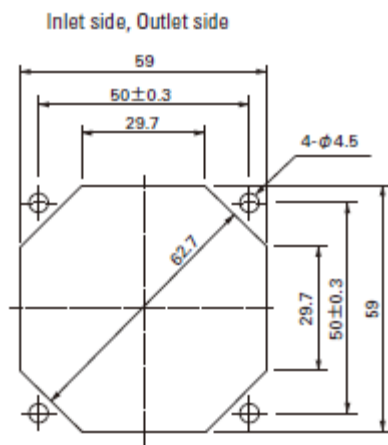
Hスピード



DIMENSIONS



Mounting holes Reference dimension



Corresponding list of accessories

Finger guard

Applicable models frame size: 60mm

Model number	Surface treatment
109-139E	Nickel-chrome plating
109-139H	Cation electrodeposition coating

Resin finger guard

Applicable models frame size: 60mm

Model number	Material
109-1003G	Frame: (SPS + PS alloy) resin UL File No.E48268 94V-0

Resin filter kit

Applicable models frame size: 60mm

Model number	(Number of holes per 1inch) PPI	Material
109-1003F13	13	Guard, cover: (SPS + PS alloy) resin UL File No.E48268 94V-0 filter: Polyurethane foam UL File No.E74916 (S) 94HF-1
109-1003F20	Twenty	Guard, cover: (SPS + PS alloy) resin UL File No.E48268 94V-0 filter: Polyurethane foam UL File No.E74916 (S) 94HF-1
109-1003F30	Thirty	Guard, cover: (SPS + PS alloy) resin UL File No.E48268 94V-0