

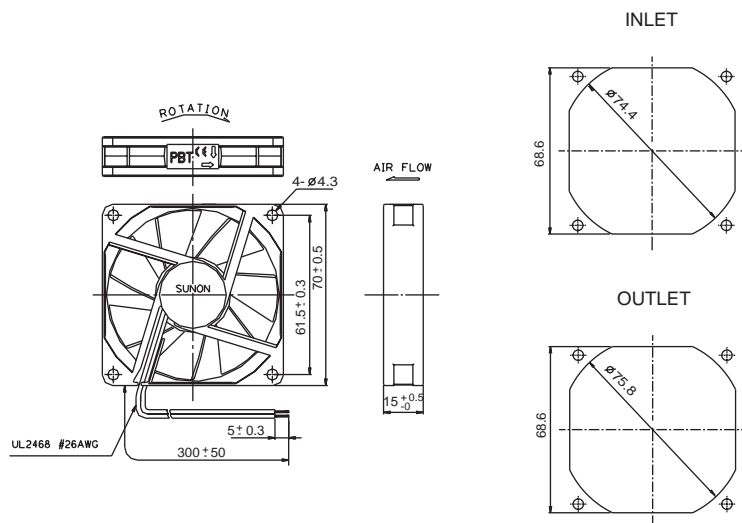
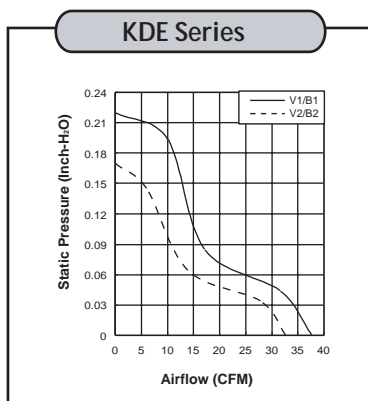
32.7~37.8 CFM



KDE Series (MagLev)

Model	P/N	Bearing	Rating Voltage (VDC)	Power Current (AMP)	Power Consumption (WATTS)	Speed (RPM)	Air Flow (CFM)	Static Pressure (Inch-H ₂ O)	Noise (dBA)	Weight (g)
KDE1207PHV1-A	11.MS	● VAPD	12	0.23	2.8	4600	37.8	0.22	41.0	50
KDE1207PHV2-A	11.MS	● BALL	12	0.17	2.0	4000	32.7	0.17	38.0	50
KDE1207PHB1-A	11.MS	○ 2BALL	12	0.23	2.8	4600	37.8	0.22	41.3	50
KDE1207PHB2-A	11.MS	○ BALL	12	0.18	2.2	4000	32.7	0.17	38.0	50

*Remarks : GM series are available with lower power consumption, higher torque and higher T^o range (≥ 70°C).



*Specifications subject to change without notice.