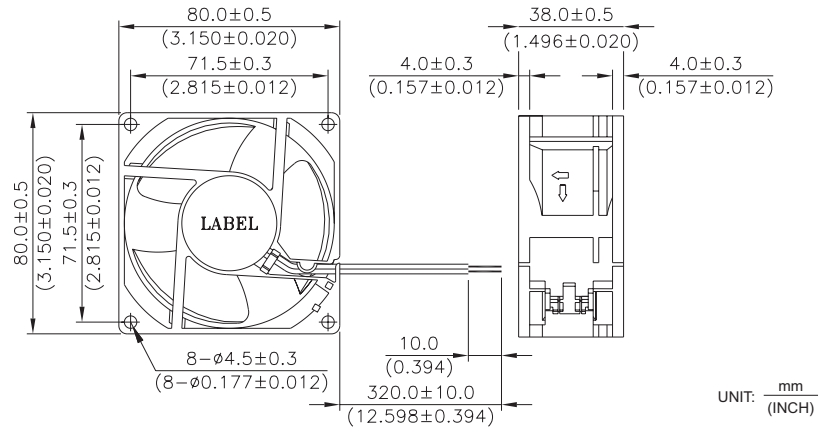


EFB 80 x 80 x 38 MM SERIES

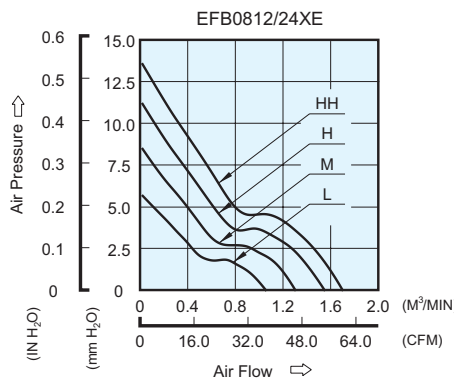
DIMENSIONS DRAWING



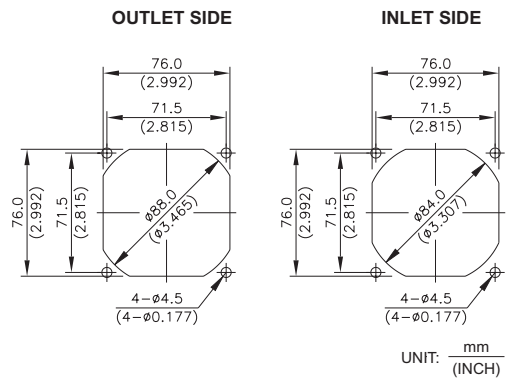
UNIT: $\frac{\text{mm}}{\text{(INCH)}}$

- * Bearing Type
Ball Bearings
- * Material
Impeller & Frame : Plastic (UL 94V-0)
- * Lead Wires :
UL 1007 AWG #24 Or Equivalent
Red Wire Positive (+)
Black Wire Negative (-)
- * Weight : 135g (4.76 oz)

P & Q CURVE (AT RATED VOLTAGE)



MOUNTING PANEL CUTOUT



UNIT: $\frac{\text{mm}}{\text{(INCH)}}$

MODEL		Rated Voltage	Operating Voltage Range	Rated Current	Rated Input Power	Speed	Maximum Air Flow		Maximum Air Pressure		Noise
PART NO.	FUNCTION	VDC	VDC	Amp	Watt	R.P.M.	m ³ /min	CFM	mmH ₂ O	IN H ₂ O	dB-A
EFB0812LE	-R00 / -F00	12	7.0 to 13.8	0.15	1.80	3200	1.048	37.01	5.79	0.228	33.0
EFB0824LE	-R00 / -F00	24	14.0 to 27.6	0.07	1.68						
EFB0812ME	-R00 / -F00	12	7.0 to 13.8	0.22	2.64	3900	1.300	45.91	8.63	0.340	39.5
EFB0824ME	-R00 / -F00	24	14.0 to 27.6	0.11	2.64						
EFB0812HE	-R00 / -F00	12	7.0 to 13.8	0.32	3.84	4550	1.543	54.49	11.33	0.446	43.0
EFB0824HE	-R00 / -F00	24	14.0 to 27.6	0.15	3.60						
EFB0812HHE	-R00 / -F00	12	7.0 to 13.2	0.41	4.92	5000	1.700	60.03	13.74	0.541	45.5
EFB0824HHE	-R00 / -F00	24	14.0 to 27.6	0.18	4.32						

* Function type is optional.
 * The max. air flow and the speed are measured in free air ; max. air pressure is measured at zero air flow.
 * Noise is measured in anechoic chamber in free air, one meter from intake side.
 * All readings are typical values at rated voltage.
 * Specifications are subject to change without notice.