

80mm sq.

San Ace 80

15mm thick, 20mm thick, 25mm thick (GV type)
 25mm thick, 25mm thick (San Cooler), 32mm thick
 38mm thick (GV type), 38mm thick (G type)



General Specifications With a pulse sensor Specifications for pulse sensors ⇔ Refer to Page 309

- Material Frame: Plastics (Flammability: UL94V-0),
 Impeller: Plastics (Flammability: UL94V-1)
- Expected Life Varies for each model (L10: Survival rate: 90% at 60°C,
 rated voltage, and continuously run in a free air state)
- Lead Wire ⊕ red ⊖ black or blue Sensor yellow
- Storage Temperature -30°C to +70°C (Non-condensing)

80×80×25mm [Mass : 110g]

Specifications To order a ribless type, replace the last digits of a model number with digits in parenthesis.

Model No.	Rated Voltage [V]	Operating Voltage Range [V]	Rated Current [A]	Rated Input [W]	Rated Speed [min ⁻¹]	Max. Air Flow [m ³ /min] [CFM]	Max. Static Pressure [Pa] [inchH ₂ O]	SPL [dB(A)]	Operating Temperature [°C]	Expected Life [h]
109R0805F401(4011)	5	4.5 to 5.5	0.25	1.25	2,600	0.92	32.5	28.4	-10 to +70	60,000
109R0805M401(4011)			0.17	0.85	2,350	0.83	29.3	22.5		
109R0812G401(4011)	12	6 to 13.8	0.37	4.44	4,500	1.50	53.0	80.4	-10 to +60	40,000
109R0812E401(4011)			0.27	3.24	3,700	1.31	46.3	57.8		
109R0812S401(4011)			0.18	2.16	3,400	1.20	42.4	48.0		
109R0812H401(4011)			0.13	1.56	2,900	1.03	36.4	35.3		
109R0812F401(4011)			0.11	1.32	2,600	0.92	32.5	28.4		
109R0812M401(4011)			0.09	1.08	2,350	0.83	29.3	22.5		
109R0812L401(4011)			0.06	0.72	1,850	0.65	23.0	14.7		
109R0824G401(4011)			24	12 to 27.6	0.20	4.80	4,500	1.50		
109R0824S401(4011)	0.10	2.40			3,400	1.20	42.4	48.0		
109R0824H401(4011)	0.07	1.68			2,900	1.03	36.4	35.3		
109R0824F401(4011)	0.06	1.44			2,600	0.92	32.5	28.4		
109R0824M401(4011)	0.05	1.20			2,350	0.83	29.3	22.5		
109R0824L401(4011)	0.04	0.96			1,850	0.65	23.0	14.7		
109R0848K401(4011)	48	40.8 to 55.2	0.10	4.80	4,600	1.56	55.1	88.4	-10 to +60	40,000
109R0848S401(4011)			0.06	2.88	3,400	1.20	42.4	48.0		

Without Sensor

Pulse Sensor

Available upon request for all the models above.

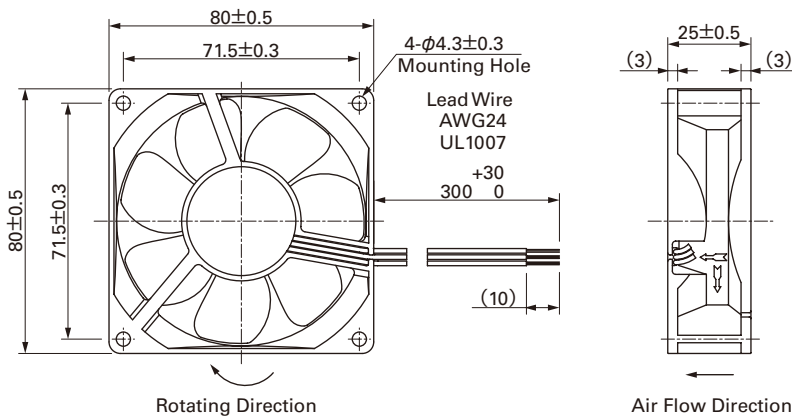
Lock Sensor

Low speed Sensor

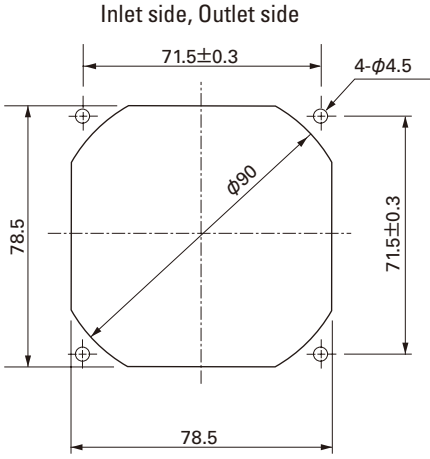
PWM Control

Please inquire as the availability of these functions depend on the model.

Dimensions (Unit : mm) (With ribs)



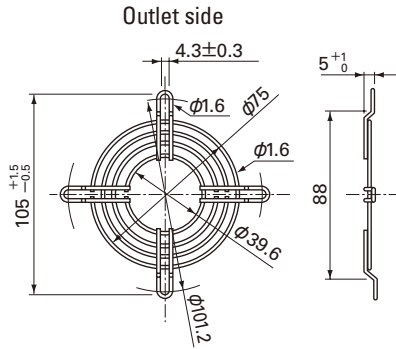
Reference dimension of mounting holes and vent opening (Unit : mm)



Options (Unit : mm)

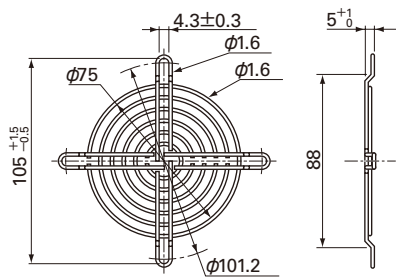
Finger guards

Model : 109-049C Surface treatment : Nickel-chrome plating (silver) Color : Nickel-chrome plating (silver)



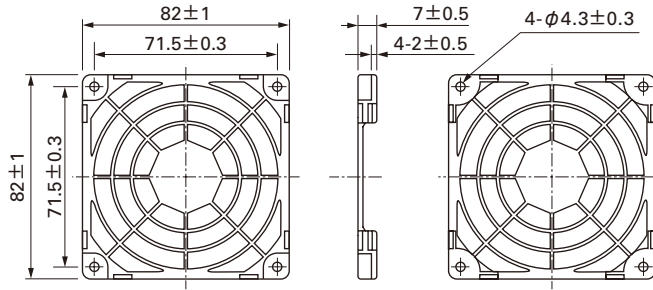
Model : 109-049E Surface treatment : Nickel-chrome plating (silver) Color : Nickel-chrome plating (silver)
 : 109-049H Surface treatment : Cation electropainting (black) Color : Cation electropainting (black)

Inlet side, Outlet side



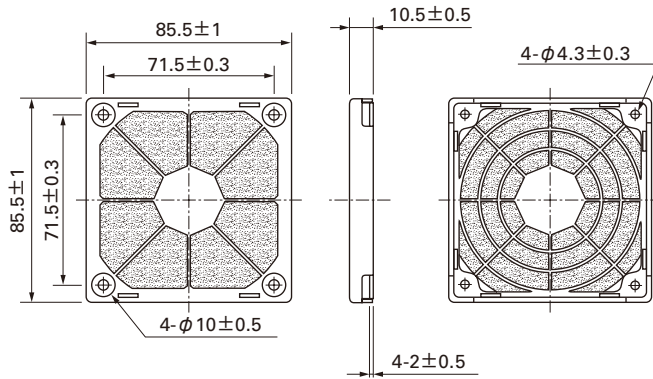
Resin finger guards

Model : 109-1002G



Resin filter kits

Model : 109-1002F13 (13PPI), 109-1002F20 (20PPI)
 : 109-1002F30 (30PPI), 109-1002F40 (40PPI)

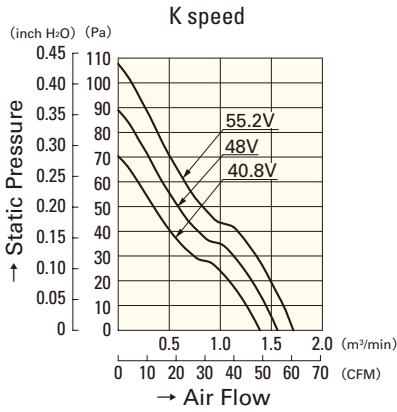


80 mm sq.

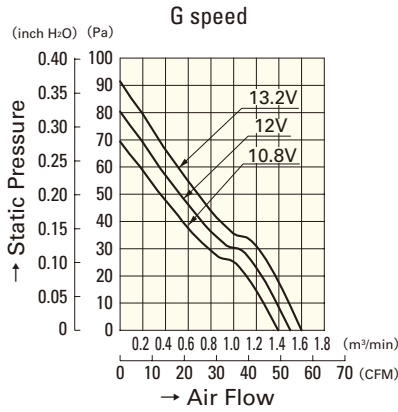
San Ace 80

80×80×25mm [Mass : 110g]

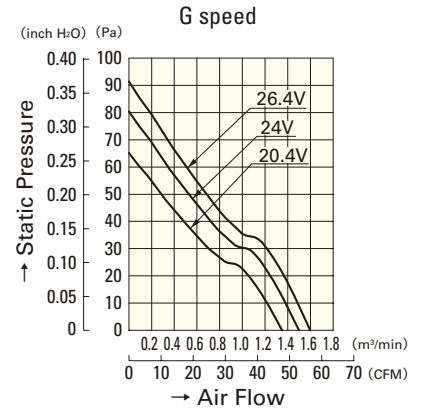
Air Flow - Static Pressure Characteristics



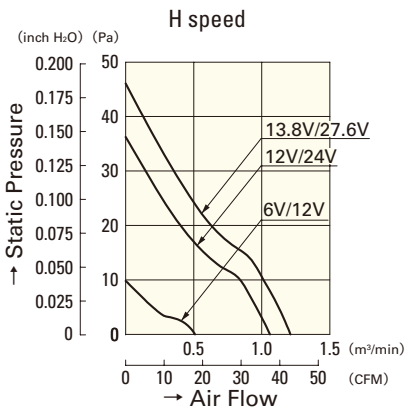
109R0848K401(4011)



109R0812G401(4011)

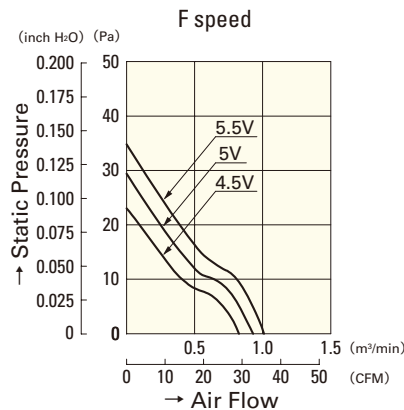


109R0824G401(4011)

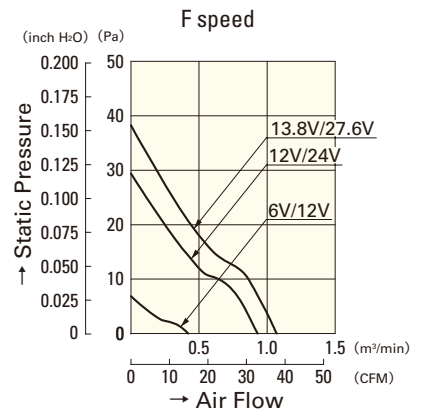


109R0812H401(4011)

109R0824H401(4011)

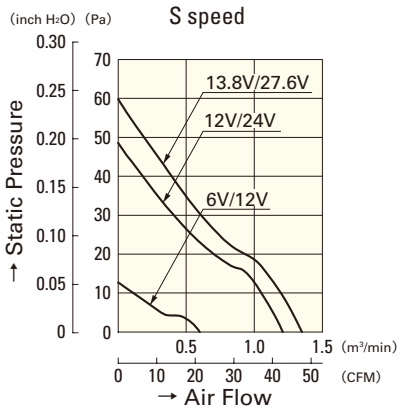


109R0805F401(4011)

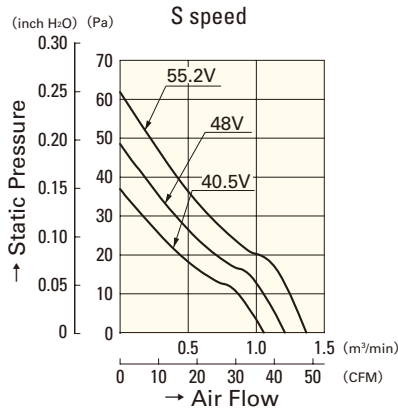


109R0812F401(4011)

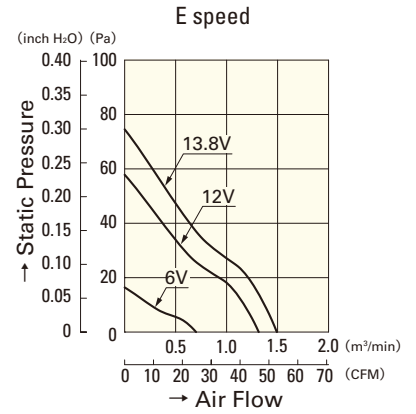
109R0824F401(4011)



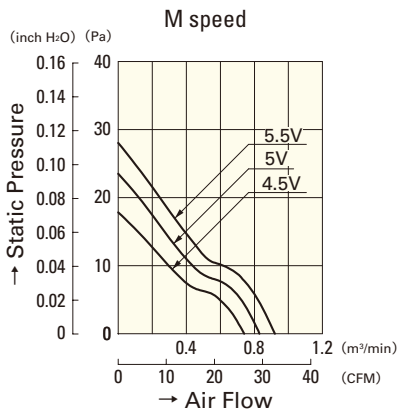
109R0812S401(4011)
109R0824S401(4011)



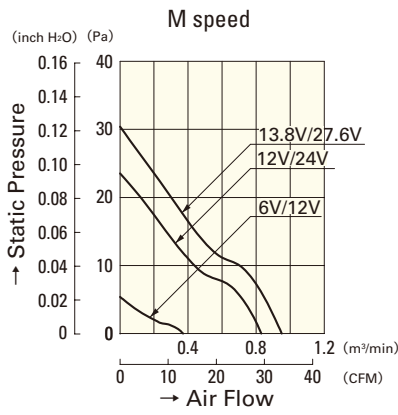
109R0848S401(4011)



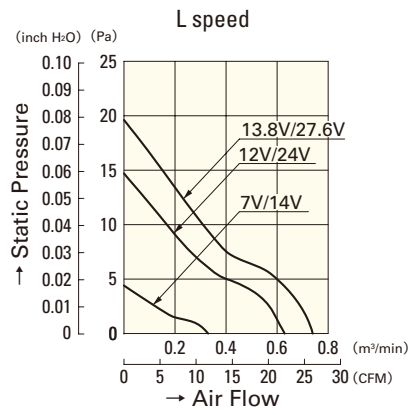
109R0812E401(4011)



109R0805M401(4011)



109R0812M401(4011)
109R0824M401(4011)



109R0812L401(4011)
109R0824L401(4011)