

SPECIFICATIONS

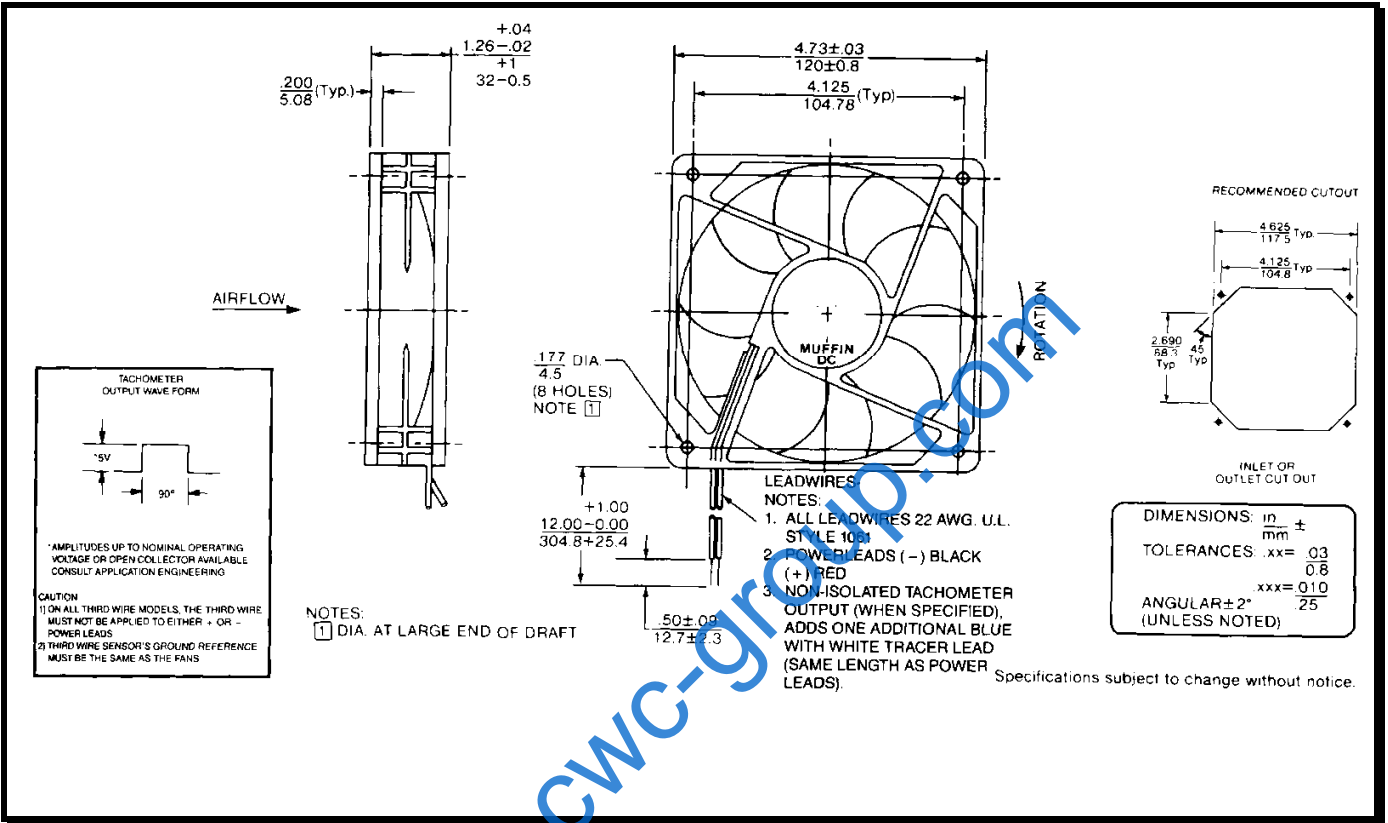
RoHS Compliant



Model Number: MC24B3

Part Number: 030572 SPEC NUMBER:26013846A00 August 8, 2005

Mechanical Drawing:



Motor:

Nominal Voltage	= 24 vdc
Operating Voltage Range	= 12 - 28 vdc
Nominal Running Current	= 0.230 amps
Locked Rotor Current	= 0.830 amps
Running Power	= 5.50 watts
Average Speed	= 3700
Bearings	= Ball
Air Flow	= 102 cfm
Acoustic	= 47.8 dBA

Construction:

Venturi: Plastic, Black, UL 94V-0
 Propeller: Plastic, Black, UL 94V-0

Life Expectancy:

This fan is designed for continuous duty life of 78,000 hours at 40°C.

Additional Features:

Brushless DC Motor
 Polarity Protected.
 Locked Rotor Protection.
 Automatic Restart Capability
 Operating Temperature: -10°C to 70°C
 Storage Temperature: -40°C to 85°C

Termination:

12" Lead wires, 22 AWG, UL 1061
 Red = Power (+)
 Black = Return (-)

Agency Approvals:

UL, CE