



General Specifications:

70x70x20mm series

GENERAL SPECIFICATIONS

Frame Material: Plastic(UL 94V-0 and UL 94V-2)

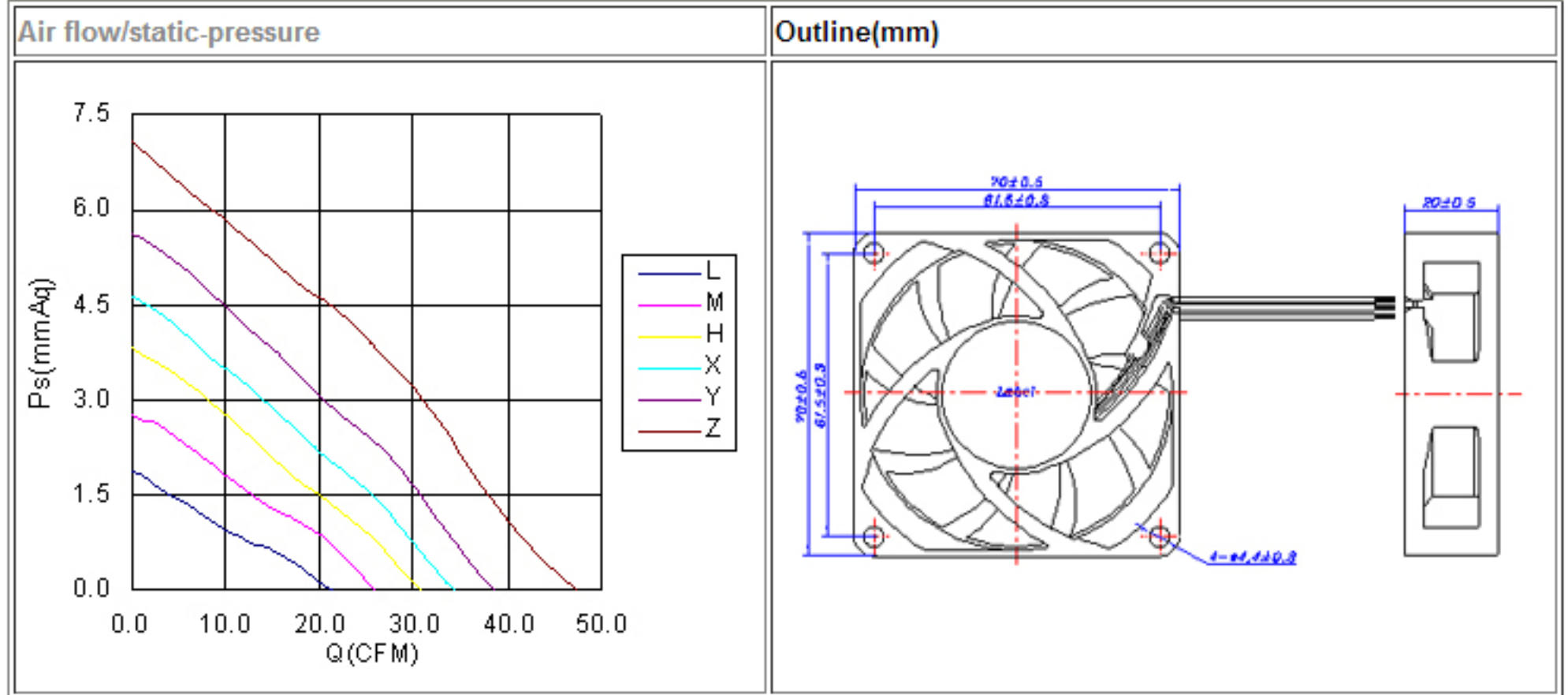
Impeller Material: Plastic(UL 94V-0 and UL 94V-2)

Frame Type: Rib only

Bearing Type: R: Rifle bearing

Specifications:

Item No.	Operating Voltage	Maximum Air Flow		Maximum Air Pressure		Speed	Rated Current	Input Power	Noise	Weight
	(V)	(CMM)	(CFM)	(mmAq)	(inchAq)	(rpm)	(A)	(W)	dB(A)	(g)
MG(1)7012LR-(2)20	12	0.604	21.33	1.87	0.074	2,500	0.14	1.68	27.5	67
MG(1)7012MR-(2)20	12	0.736	25.97	2.76	0.109	3,000	0.19	2.28	30.7	67
MG(1)7012HR-(2)20	12	0.870	30.70	3.81	0.150	3,500	0.27	3.24	35.1	67
MG(1)7012XR-(2)20	12	0.971	34.28	4.51	0.178	3,900	0.36	4.32	37.9	67
MG(1)7012YR-(2)20	12	1.096	38.69	5.63	0.222	4,300	0.43	5.16	40.1	67
MG(1)7012ZR-(2)20	12	1.346	47.51	7.09	0.279	5,400	0.63	7.56	46.7	67



Remarks:

(1)-Electric Characteristics:

A: Standard 2-Pin; T: Frequency Generation 3-Pin or more.

(2)-Function:

A: None Automatic Restart;

O: Automatic Restart & Locked Current Protection;

R: Rotate Detection, Automatic Restart & Locked Current Protection;

S: Thermo-Control Speed, Automatic Restart & Locked Current Protection;

W: Pulse Width Modulation & Automatic Restart & Locked Current Protection (PWM).

The spec is for reference only, it's subject to change without any prior notice.