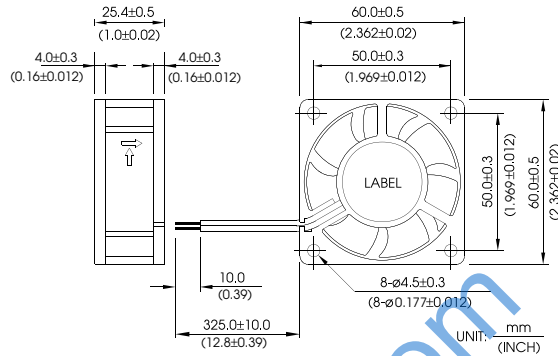
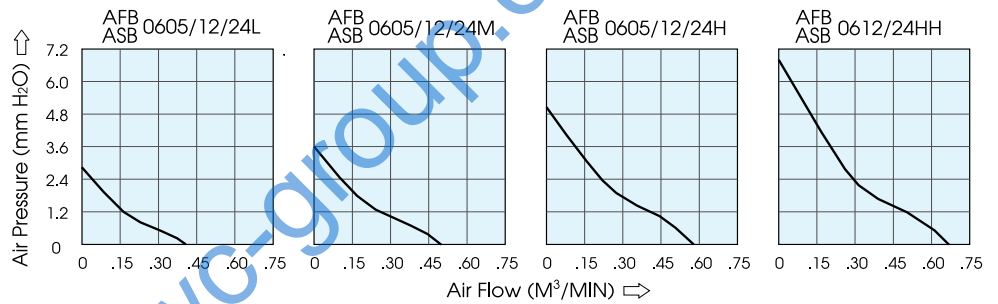


AFB & ASB 60 x 60 x 25 MM SERIES

DIMENSIONS DRAWING



P & Q CURVE (AT RATED VOLTAGE)



- * Bearing Type
Two Ball Bearings Or One Sleeve Bearing
- * Material
Impeller & Frame : Plastic (UL 94V-0)
- * Lead Wires :
UL 1007 AWG #24 Or Equivalent
Red Wire Positive (+)
Black Wire Negative (-)
- * Weight : 77g (2.72 Oz)

MODEL		Rated Voltage	Operating Voltage Range	Rated Current	Rated Input Power	Speed	Maximum Air Flow		Maximum Air Pressure		Noise
TWO BALLS	FUNCTION	VDC	VDC *	Amp	Watt	R.P.M.	m³/min	CFM	mmH ₂ O	IN H ₂ O	dB-A
AFB0605L	/-F00	5	4.5 to 5.5	0.15	0.75	3100	0.40	14.1	2.74	0.108	22.5
AFB0612L	-R00/-F00	12	7.0 to 13.8	0.06	0.72						
AFB0624L	-R00/-F00	24	14.0 to 27.6	0.05	1.20						
AFB0605M	/-F00	5	4.5 to 5.5	0.22	1.10	3600	0.46	16.2	3.60	0.141	24.5
AFB0612M	-R00/-F00	12	7.0 to 13.8	0.08	0.96						
AFB0624M	-R00/-F00	24	14.0 to 27.6	0.06	1.44						
AFB0605H	/-F00	5	4.5 to 5.5	0.31	1.55	4250	0.55	19.4	4.90	0.193	28.0
AFB0612H	-R00/-F00	12	7.0 to 13.8	0.12	1.44						
AFB0624H	-R00/-F00	24	14.0 to 27.6	0.08	1.92						
AFB0612HH	-R00/-F00	12	7.0 to 13.8	0.18	2.16	5000	0.65	23.0	6.96	0.274	33.0
AFB0624HH	-R00/-F00	24	14.0 to 27.6	0.09	2.16						
ONE SLEEVE	FUNCTION	VDC	VDC *	Amp	Watt	R.P.M.	m³/min	CFM	mmH ₂ O	IN H ₂ O	dB-A
ASB0605L	/-F00	5	4.5 to 5.5	0.15	0.75	3100	0.40	14.1	2.74	0.108	22.5
ASB0624L	-R00/-F00	24	14.0 to 27.6	0.05	1.20						
ASB0605M	/-F00	5	4.5 to 5.5	0.22	1.10	3600	0.46	16.2	3.60	0.141	24.5
ASB0624M	-R00/-F00	24	14.0 to 27.6	0.06	1.44						
ASB0605H	/-F00	5	4.5 to 5.5	0.31	1.55	4250	0.55	19.4	4.90	0.193	28.0
ASB0624H	-R00/-F00	24	14.0 to 27.6	0.08	1.92						
ASB0612HH	-R00/-F00	12	7.0 to 13.8	0.18	2.16	5000	0.65	23.0	6.96	0.274	33.0
ASB0624HH	-R00/-F00	24	14.0 to 27.6	0.09	2.16						

* Function type is optional.
 * The max. air flow and the speed are measured in free air ; max. air pressure is measured at zero air flow.
 * Noise is measured in anechoic chamber in free air, one meter from intake side.
 * All readings are typical values at rated voltage.
 * Specifications are subject to change without notice.