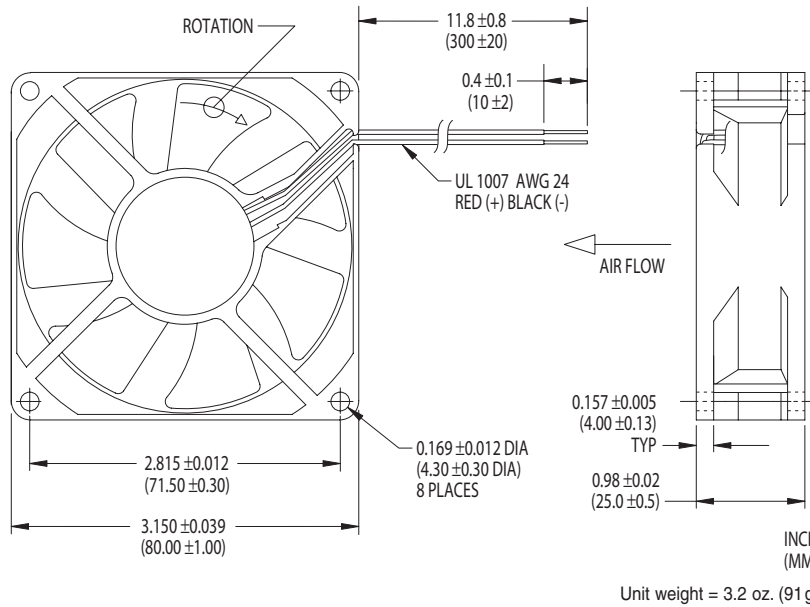


80x25mm



- ▶ 12V and 24V Models
- ▶ Polarity Protected
- ▶ Strut Side Discharge
- ▶ Permanently Lubricated Ball Bearings or Long-Life NBR^Δ Designs
- ▶ Alarm/Tachometer/Thermal Speed Control/PWM Speed Control Options
- ▶ Sound-Absorbing Thermoplastic Frame and Impeller Rated V-0

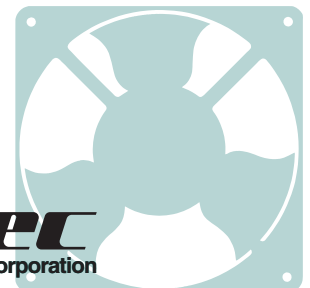
L-Series Fans

TA300DC Series—Electrical and Mechanical Characteristics

| Model | Air Flow (CFM) | Operating Voltage | | Current (mA) | Power (W) | Sound Level | | Fan Speed (rpm) | Bearing ^Δ | Operating Temp. | |
|--------|----------------|-------------------|-----------|--------------|-----------|----------------|-------------|-----------------|----------------------|-----------------|-----------|
| | | Nom. (V) | Range (V) | | | Pressure (dBA) | NPEL (Bels) | | | Min. (°C) | Max. (°C) |
| L34681 | 23 | 12 | 10.2-13.8 | 70 | 0.84 | 17.7 | 3.6 | 1,850 | NBR | -10 | +70 |
| L34682 | 23 | 24 | 20.4-27.6 | 50 | 1.20 | 17.7 | 3.6 | 1,850 | NBR | -10 | +70 |
| M33414 | 25 | 12 | 10.2-13.8 | 110 | 1.32 | 22.5 | 3.8 | 2,050 | Ball | -10 | +70 |
| M33415 | 25 | 24 | 20.4-27.6 | 90 | 2.16 | 22.5 | 3.8 | 2,050 | Ball | -10 | +70 |
| L34683 | 26 | 12 | 10.2-13.8 | 80 | 0.96 | 21.8 | 3.9 | 2,050 | NBR | -10 | +70 |
| L34684 | 26 | 24 | 20.4-27.6 | 60 | 1.44 | 21.8 | 3.9 | 2,050 | NBR | -10 | +70 |
| M33412 | 30 | 12 | 10.2-13.8 | 150 | 1.80 | 24.4 | 4.2 | 2,400 | Ball | -10 | +70 |
| M33413 | 30 | 24 | 20.4-27.6 | 100 | 2.40 | 24.4 | 4.2 | 2,400 | Ball | -10 | +70 |
| L34685 | 31 | 12 | 10.2-13.8 | 110 | 1.32 | 26.1 | 4.2 | 2,400 | NBR | -10 | +70 |
| L34686 | 31 | 24 | 20.4-27.6 | 70 | 1.68 | 26.1 | 4.2 | 2,400 | NBR | -10 | +70 |
| M33409 | 35 | 12 | 10.2-13.8 | 210 | 2.52 | 31.7 | 4.5 | 2,900 | Ball | -10 | +70 |
| M33411 | 35 | 24 | 20.4-27.6 | 130 | 3.12 | 31.7 | 4.5 | 2,900 | Ball | -10 | +70 |
| L34687 | 37 | 12 | 10.2-13.8 | 130 | 1.56 | 31.1 | 4.6 | 2,800 | NBR | -10 | +70 |
| L34688 | 37 | 24 | 20.4-27.6 | 80 | 1.92 | 31.1 | 4.6 | 2,800 | NBR | -10 | +70 |
| L34689 | 41 | 12 | 10.2-13.8 | 200 | 2.40 | 34.9 | 5.0 | 3,250 | NBR | -10 | +70 |
| L34690 | 41 | 24 | 20.4-27.6 | 110 | 2.64 | 34.9 | 5.0 | 3,250 | NBR | -10 | +70 |
| M33406 | 43 | 12 | 10.2-13.8 | 290 | 3.48 | 35.8 | 5.0 | 3,400 | Ball | -10 | +70 |
| M33407 | 43 | 24 | 20.4-27.6 | 180 | 4.32 | 35.8 | 5.0 | 3,400 | Ball | -10 | +70 |

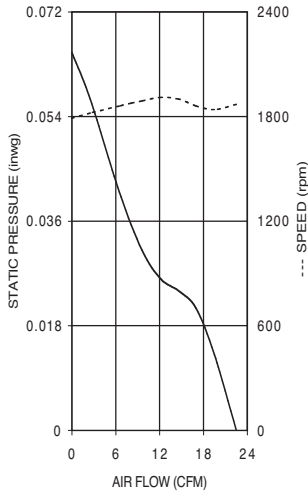
Note: Air flow, current, power, speed and sound level ratings are at nominal voltage against zero static pressure. NPEL = Noise Power Emission Level. The first character of the model number denotes housing material and flange configuration. (M = advanced thermoplastic housing with open flange.) The series is also available as 'C' models (thermoplastic housing, closed flange). Power termination and signal options are designated by two-digit suffixes added to the model names: For color-coded 300mm power leads with stripped ends, add "-16" to the model numbers.

^Δ NBR, Nidec Bearing Revolution: Long-life sleeve-bearing design.

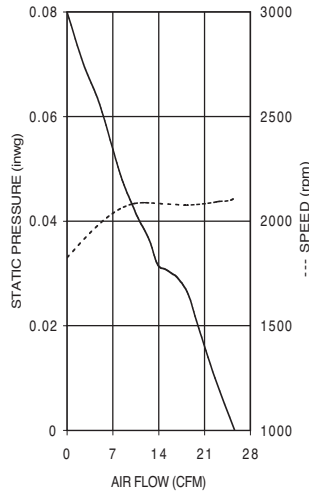


80x25mm

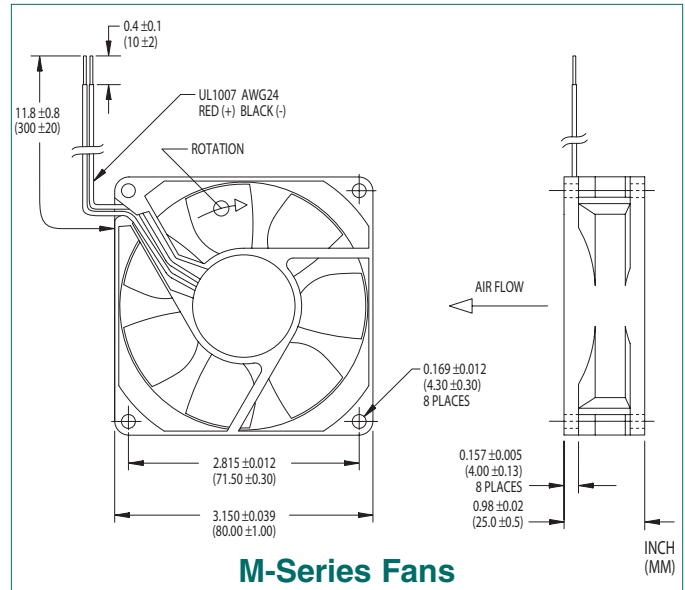
TA300DC Air Performance



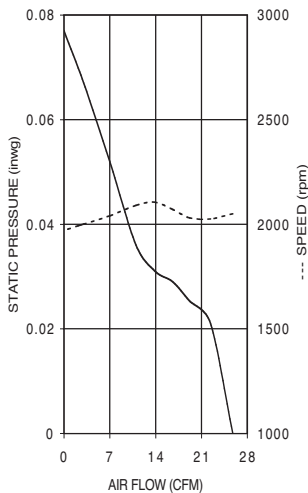
L34681/L34682



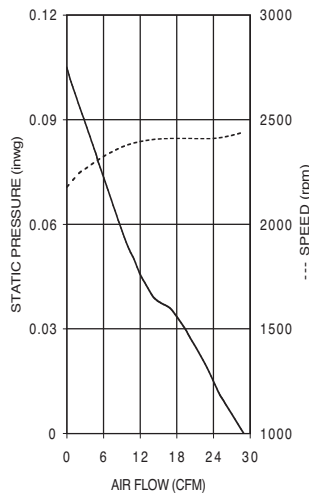
M33414/M33415



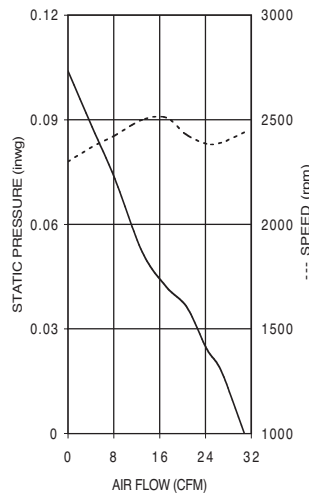
M-Series Fans



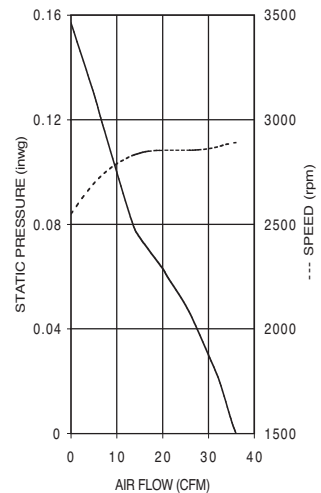
L34683/L34684



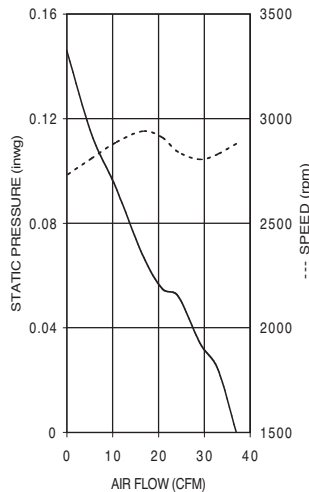
M33412/M33413



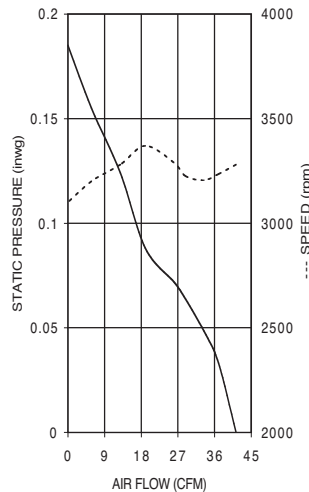
L34685/L34686



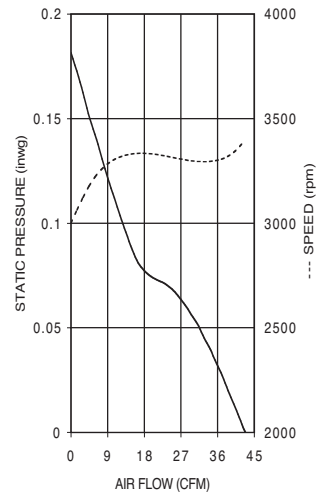
M33409/M33411



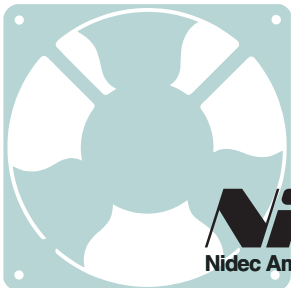
L34687/L34688



L34689/L34690



M33406/M33407



Nidec
Nidec America Corporation

phone 781-848-0970 · email fans@nidecamerica.com · www.nidecamerica.com