

80mm sq.

San Ace 80

15mm thick, 20mm thick, 25mm thick (GV type)
 25mm thick, 25mm thick (San Cooler), 32mm thick
 38mm thick (GV type), 38mm thick (G type)



General Specifications **With a pulse sensor** Specifications for pulse sensors ⇨ Refer to Page 309

With PWM speed control function ⇨ Refer to Page 311

- Material Frame: Plastics (Flammability: UL94V-0),
 Impeller: Plastics (Flammability: UL94V-1)
- Expected Life Varies for each model (L10: Survival rate: 90% at 60°C,
 rated voltage, and continuously run in a free air state)
- Lead Wire ⊕ red ⊖ black (Sensor) yellow (Control) brown
- Storage Temperature -30°C to +70°C (Non-condensing)

80×80×38mm (Mass : 220g)

GV type

Specifications To order a ribless type, replace the last digits of a model number with digits in parenthesis.

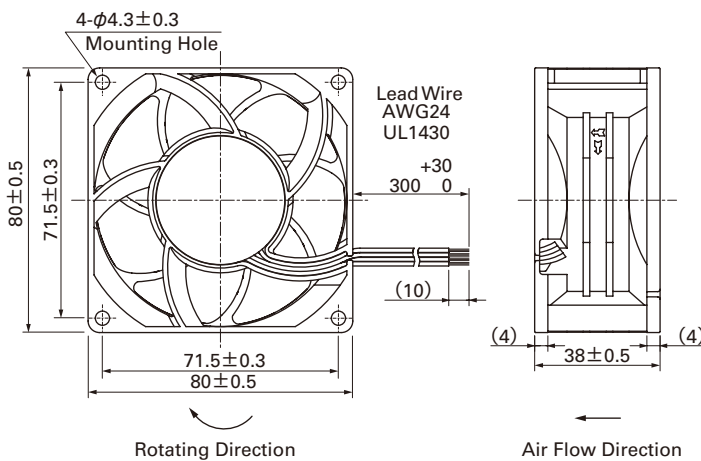
| Model No. | Rated Voltage [V] | Operating Voltage Range [V] | PWM duty cycle※ [%] | Rated Current [A] | Rated Input [W] | Rated Speed [min ⁻¹] | Max. Air Flow [m ³ /min] [CFM] | Max. Static Pressure [Pa] [inchH ₂ O] | SPL [dB(A)] | Operating Temperature [°C] | Expected Life [h] |
|-------------------|-------------------|-----------------------------|---------------------|-------------------|-----------------|----------------------------------|---|--|-------------|----------------------------|-------------------|
| 9GV0812P1G03(031) | 12 | 10.8 to 13.2 | 100 | 3.80 | 45.60 | 10,200 | 3.90 138.0 | 490.0 1.97 | 65 | -10 to +70 | 40,000 |
| | | | 0 | 0.32 | 3.84 | 3,000 | 1.15 40.6 | 42.4 0.17 | 34 | | |
| 100 | | | 3.00 | 36.00 | 9,700 | 3.70 131.0 | 440.0 1.77 | 63 | | | |
| 10.2 to 13.8 | | 0 | 0.20 | 2.40 | 2,900 | 1.11 39.2 | 39.0 0.16 | 34 | | | |
| | | 100 | 1.5 | 18 | 8,000 | 3.05 108.0 | 301.0 1.21 | 58 | | | |
| | | 0 | 0.12 | 1.44 | 2,400 | 0.92 32.0 | 27.1 0.11 | 26 | | | |
| 9GV0812P1H03(031) | | | 100 | 0.75 | 9 | 6,000 | 2.29 81.0 | 169.0 0.68 | 51 | | |
| 9GV0812P1F03(031) | | | 0 | 0.09 | 1.08 | 1,700 | 0.65 23.0 | 13.6 0.05 | 19 | | |
| 9GV0812P1M03(031) | | | 100 | 1.6 | 38.40 | 10,200 | 3.9 138.0 | 490.0 1.97 | 65 | | |
| 9GV0824P1G03(031) | 24 | 20.4 to 27.6 | 0 | 0.3 | 7.2 | 4,700 | 1.79 63.2 | 104.0 0.41 | 44 | | |
| 9GV0848P1G03(031) | 48 | 40.8 to 55.2 | 100 | 0.84 | 40.32 | 10,200 | 3.9 138.0 | 490.0 1.97 | 65 | | |
| | | | 0 | 0.15 | 7.2 | 4,700 | 1.79 63.2 | 104.0 0.41 | 44 | | |

※PWM Frequency : 25kHz

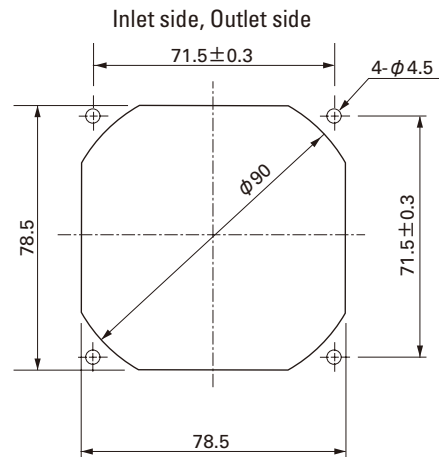
Without Sensor **Pulse Sensor** **PWM Control** Available upon request for all the models above.

Lock Sensor Please inquire as the availability of these functions depend on the model.

Dimensions (Unit : mm) (With ribs)



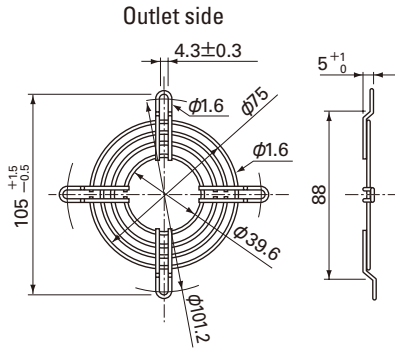
Reference dimension of mounting holes and vent opening (Unit : mm)



Options (Unit : mm)

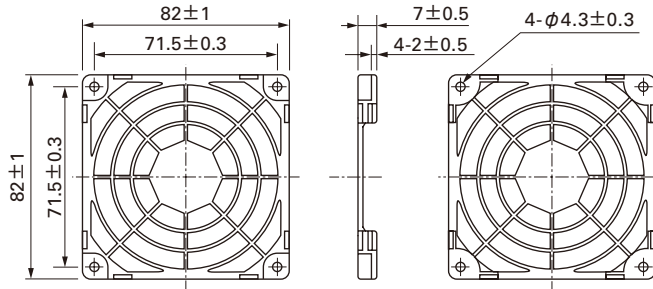
Finger guards

Model : 109-049C Surface treatment : Nickel-chrome plating (silver) Color : Nickel-chrome plating (silver)



Resin finger guards

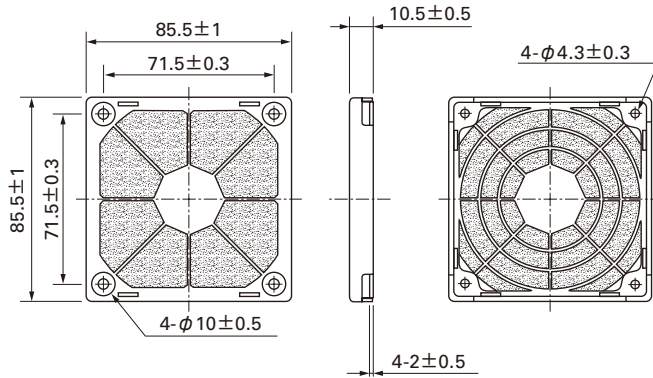
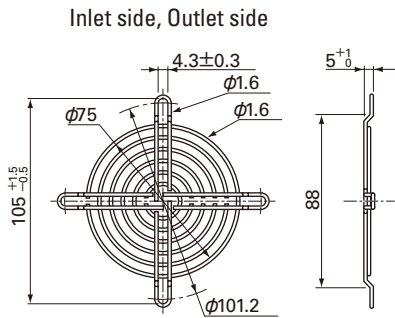
Model : 109-1002G



Model : 109-049E Surface treatment : Nickel-chrome plating (silver) Color : Nickel-chrome plating (silver)
 : 109-049H Surface treatment : Cation electropainting (black) Color : Cation electropainting (black)

Resin filter kits

Model : 109-1002F13 (13PPI), 109-1002F20 (20PPI)
 : 109-1002F30 (30PPI), 109-1002F40 (40PPI)



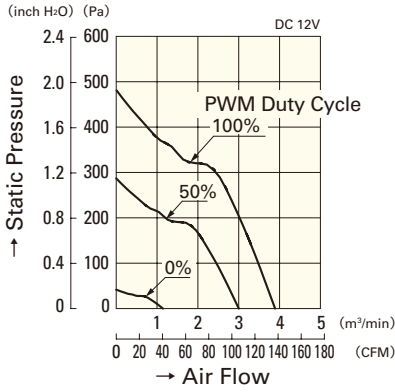
80 mm sq.

San Ace 80

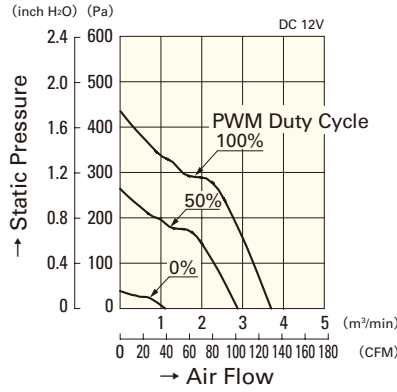
80×80×38mm [Mass : 220g]

Air Flow - Static Pressure Characteristics

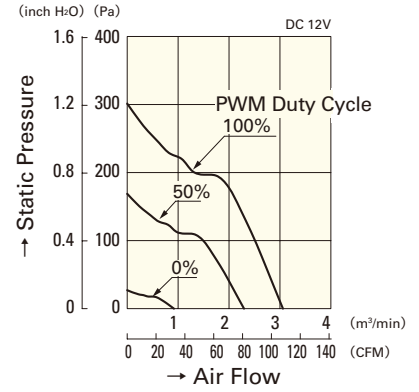
PWM Duty Cycle



9GV0812P1G03(031)

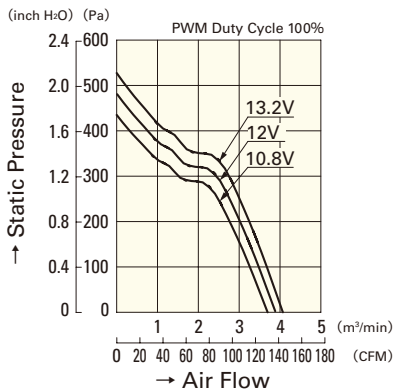


9GV0812P1H03(031)

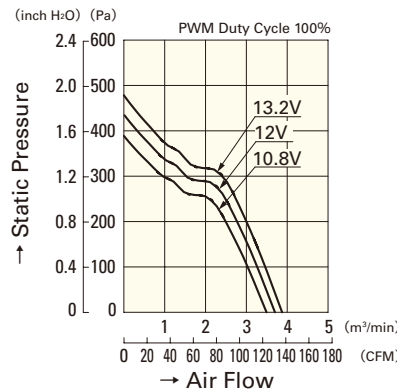


9GV0812P1F03(031)

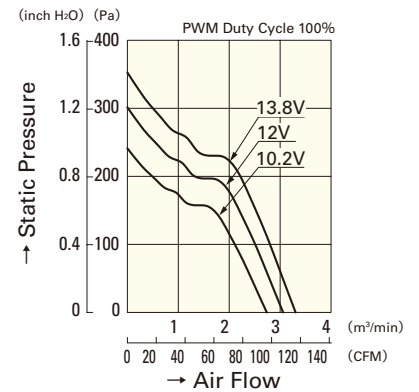
Operating Voltage Range



9GV0812P1G03(031)

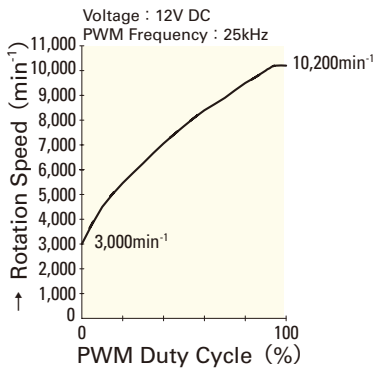


9GV0812P1H03(031)

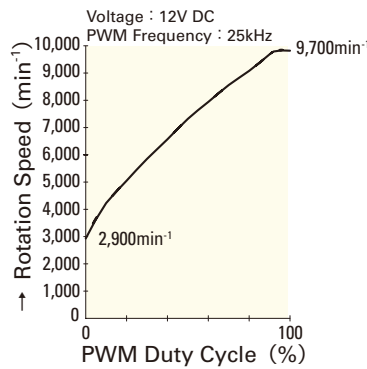


9GV0812P1F03(031)

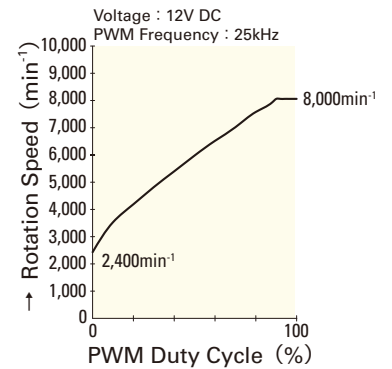
PWM Duty - Speed Characteristics Example



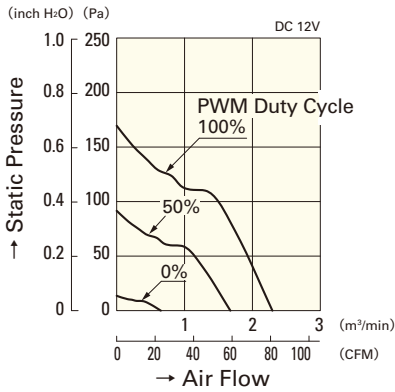
9GV0812P1G03(031)



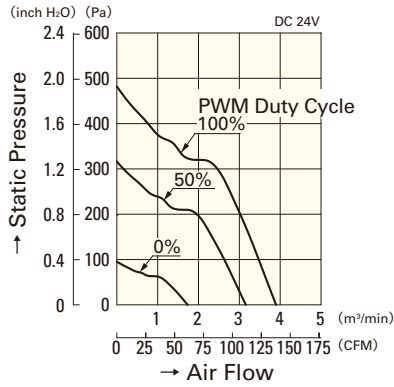
9GV0812P1H03(031)



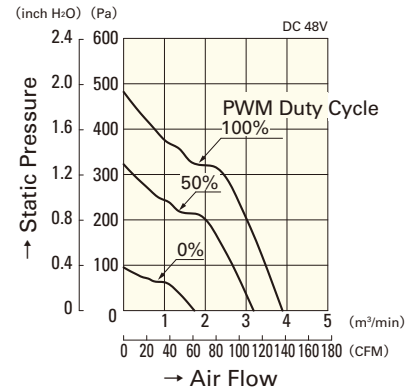
9GV0812P1F03(031)



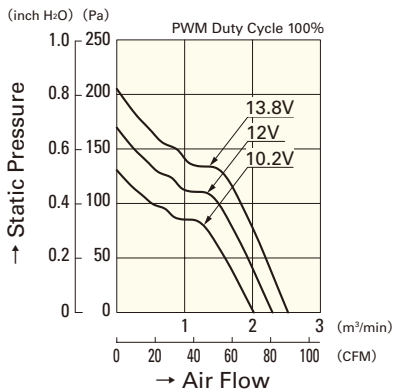
9GV0812P1M03(031)



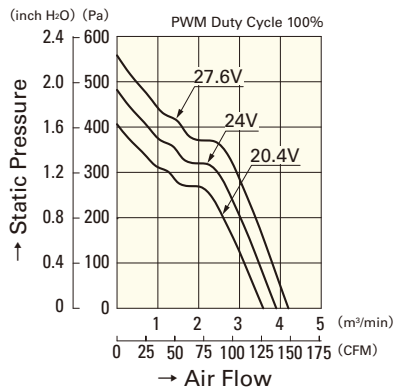
9GV0824P1G03(031)



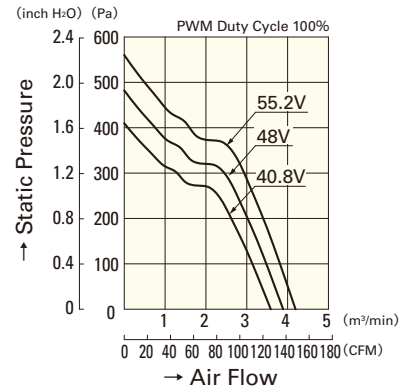
9GV0848P1G03(031)



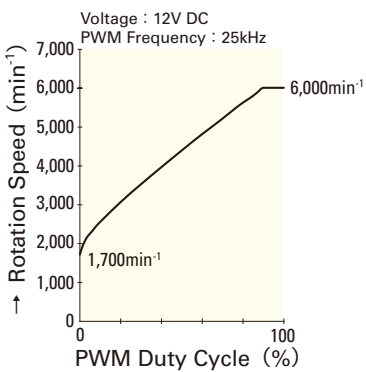
9GV0812P1M03(031)



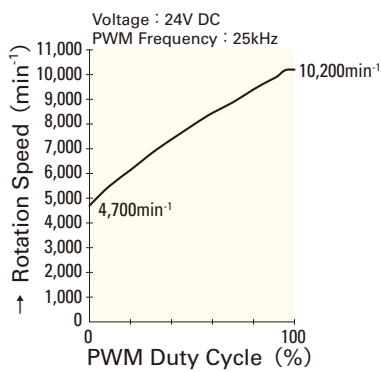
9GV0824P1G03(031)



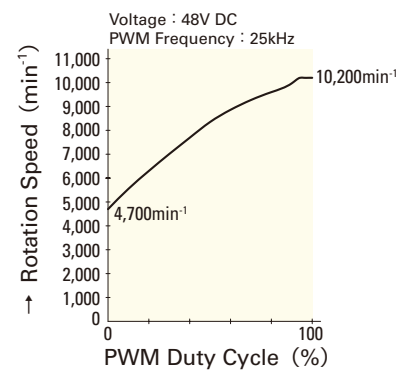
9GV0848P1G03(031)



9GV0812P1M03(031)



9GV0824P1G03(031)



9GV0848P1G03(031)