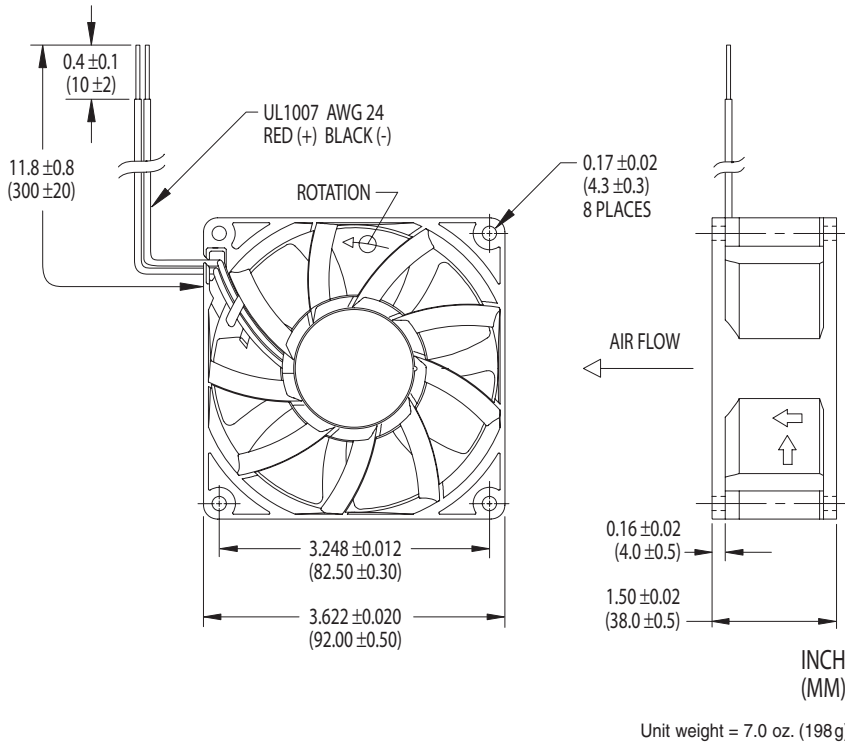


92×38mm



- Advanced Vane Axial Design for Optimal Air Delivery at Elevated Pressure Levels
- 110 CFM Air Flow Rating
- Polarity Protected
- Strut Side Discharge
- Permanently Lubricated Ball Bearings
- Alarm/Tachometer Options Available
- Sound-Absorbing Thermoplastic Frame and Impeller Rated V-0

VA350DC Series—Electrical and Mechanical Characteristics

Model	Air Flow (CFM)	Operating Voltage		Current (mA)	Power (W)	Sound Level		Fan Speed (rpm)	Bearing	Operating Temp.	
		Nom. (V)	Range (V)			Pressure (dBA)	NPEL (Bels)			Min. (°C)	Max. (°C)
V35208	110	12	10.2-13.8	1100	13.2	52.6	6.7	5,100	Ball	-10	+70
V35131	110	24	20.4-27.6	530	12.7	52.6	6.7	5,100	Ball	-10	+70

Note: Air flow, current, power, speed and sound level ratings are at nominal voltage against zero static pressure. NPEL = Noise Power Emission Level. Power termination and signal options are designated by two-digit suffixes added to the model names: For color-coded 300mm power leads with stripped ends, add "-16" to the model number.

