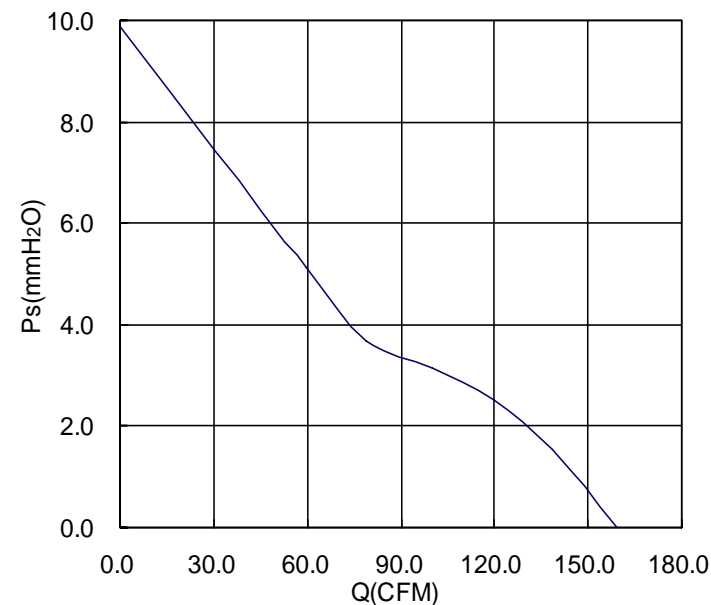


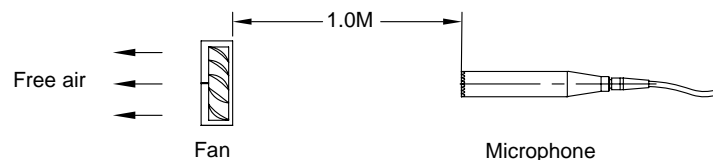
| ITEMS | DESCRIPTION |
|------------------------------------|--|
| Rated Voltage | D.C. 12.0V |
| Operating voltage | D.C. 5.0V~13.8V |
| Start up voltage | D.C. 5.0V (At 25°C Power ON/OFF) |
| Current | 2.20A |
| Power | 26.40W |
| Speed | 3,300±10%rpm (At 25°C, To record speed after fan running normal, This time about 3~5minutes) |
| Air flow (at zero static pressure) | 159.14CFM(4.508m ³ /min) Min:143.23CFM(4.057m ³ /min) |
| Air pressure (at zero air flow) | 9.87mmH ₂ O(0.389inchH ₂ O) Min:7.99mmH ₂ O (0.315inchH ₂ O) |
| Acoustical noise | 52.8dB(A) Max:55.8dB(A) |
| Life expectancy | 70,000hrs continuous at 40°C. |
| Insulation resistance | Min 10Meg Ohm between internal stator and lead wire (+) at 500VDC |
| Dielectric strength | 5mA max at 600VAC 50Hz 1 second between frame and (+) terminal |
| Operating temperature and humidity | -10°C to 70°C, 5% to 90% RH |
| Storage temperature and humidity | -40°C to 70°C, 5% to 95% RH |
| Lock rotor protection | Yes |

PQ curve: (Rated Voltage or rated voltage at 100%PWM if applied)



Noise Test: (ISO10302)

- 1.Measurement within anechoic chamber under free air condition
- 2.Microphone is placed at a distance of 1m on the axis of air intake side
- 3.Chamber background noise max 6.7dB(A)
- 4.Using microphone: G.R.A.S 1/2 inch measure system 40AE+26CA or 1 inch low measure system 40HF
- 5.Test system: National Instrument NI-4474 data acquisition system
- 6.Acoustical noise at rated speed

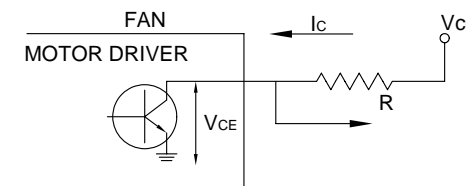


Output of rotary Signal:

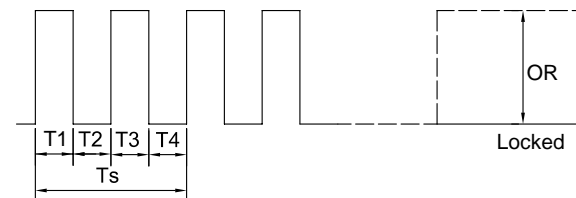
1.Output method- open collector method

2. Circuit Specification:

- 2-1. Specification:
 V_{cc} = 15.0V MAX
 V_{ce(sat)} = 1.0 V MAX
 I_c = 5mA MAX
 R ≥ V_{cc}/I_c



2-2. Frequency Generator Waveform:



One Fan Rotation

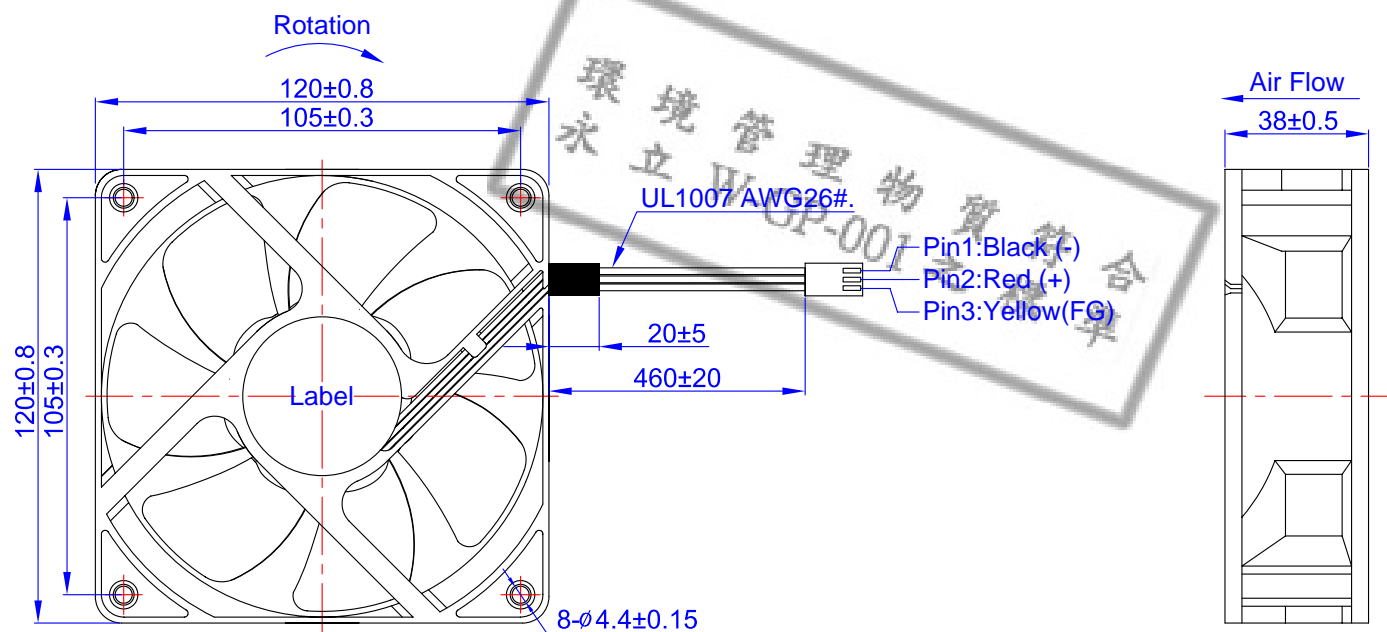
N: Revolution per minute (rpm).

T1~T4 ≈ 1/4 Ts = 60/N (sec).

Pulse width duty = T1 ÷ (T1+T2) = 50±5%



| ITEMS | DESCRIPTION | REMARKS |
|----------|-------------------------------------|----------------|
| Frame | PBT(30%GF) UL: 94V-0 | |
| Impeller | PBT(30%GF) UL: 94V-0 | |
| Weight | 255g | |
| Bearing | Dual ball bearings | |
| Housing | WST P3-I25004F | or equivalence |
| Terminal | WST I25004PS-2 | or equivalence |
| Tube | Blakc heat shrink tube ϕ 3.0mm | |
| Label | ϕ 45mm Material:PET | protechnic |



| | | | |
|------------------|--|---------------------------------------|----|
| DC BRUSHLESS FAN | | Unit | mm |
| | | DONGGUAN PROTECHNIC ELECTRIC CO.,LTD. | |