

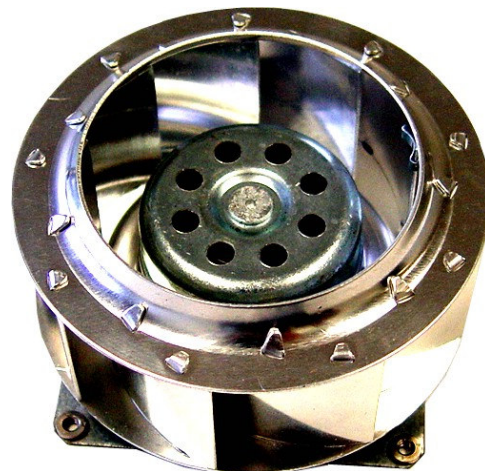


Diplomat® DD4021 Series

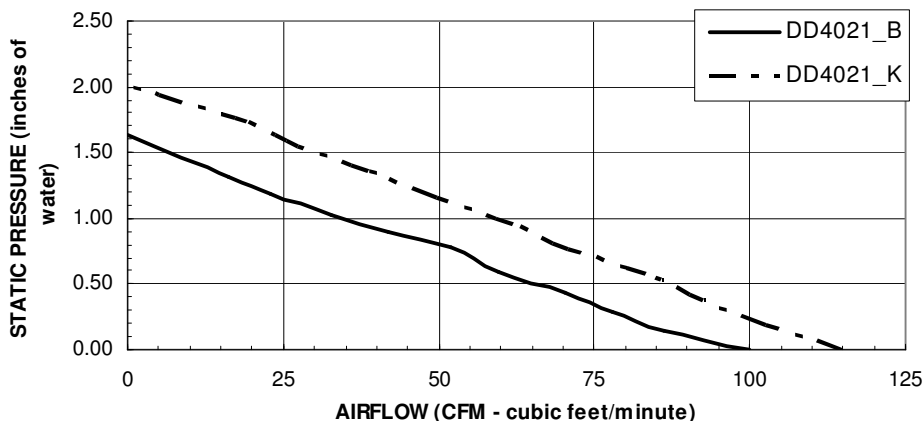
100mm Brushless DC Motorized Impeller

Features

- Size: 101.6mm Dia x 55.1mm height (4.0" x 2.17")
- Air Flow: 100 to 115 CFM
- Acoustic: 66.1 to 68.0 dBA
- Operating Voltage: 12, 24, & 48 vdc
- Operating Temperature: -40°C to 70°C
- Storage Temperature: -50°C to 80°C
- Weight: 0.783 lbs. (0.355 Kg)
- Reliable Ball Bearings
- 12" Leadwires, 22AWG, UL1061



Performance



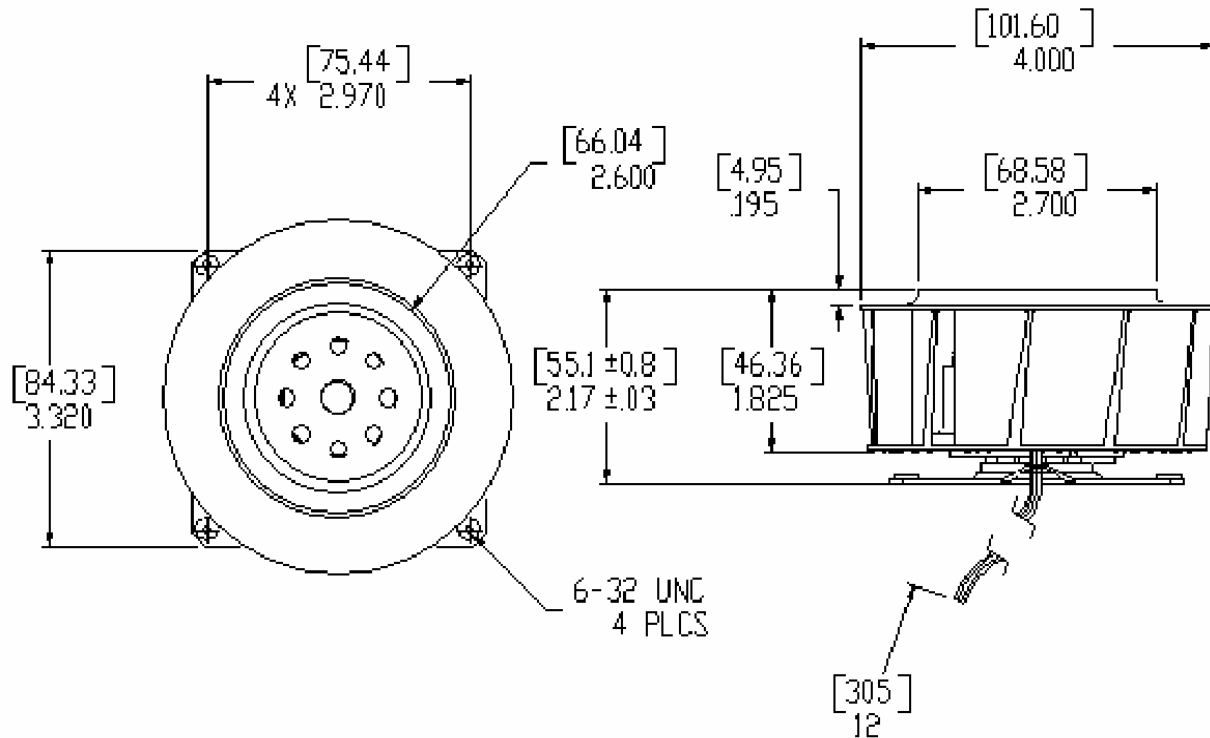
Specifications

Model No.	Voltage Nominal (VDC)	Power (watts)	Running Current (amps)	RPM	CFM	Static Pressure (in H ₂ O)	Noise (dBA)	Features
DD402112B	12	25.2	2.100	4950	100	1.640	59.0	TTL Tach
DD402124B	24	22.1	0.920	4950	100	1.640	59.0	TTL Tach
DD402148B	48	18.2	0.380	4950	100	1.640	59.0	TTL Tach
DD402112K	12	33.0	2.750	5865	115	2.010	67.0	TTL Tach
DD402124K	24	32.0	1.330	5865	115	2.010	67.0	TTL Tach
DD402148K	48	39.0	0.810	5865	115	2.010	67.0	TTL Tach



Diplomat® DD4021 Series

100mm Brushless DC Motorized Impeller



Motor

- Brushless Electronic Commutation
- Dependable Solid State Circuitry
- Dependable Ball Bearings
- 100% Electrically Tested
- Electronic Locked Rotor Protection
- Soft Start Inrush Current
- Automatic Reset Capability
- Polarity Protected

Available Options

- Tachometer Output
- Fan Performance Sensor Alarm (FPS)
- EnviroShield
- Harness Assemblies
- Thermal Speed Control
- Programmable Speed Control
- Voltage Regulation
- Wide Input Voltage Range

Construction

- Motor Base: Stamped Steel
- Propeller: Aluminum



2675 Customhouse Court, San Diego, CA 92154
Ph (619) 661-6688 Fax (619) 661-1757
E-mail: sales@comairrotron.com

WWW.COMAIRROTRON.COM