

■ **Features**

- Power Rating: 60-96W
- Input Voltage: 100-277Vac
- Constant voltage design
- Adjustable output current(0mA-8000mA)
- Efficiency to 94%
- UL Class 2(some models)
- SCP, OTP, OVP and Overload protection
- IP65 & IP67
- 5-year warranty
- Surge Immunity: Line to line 2 kV, line to earth 4 kV; 8 kV air discharge, 4 kV contact discharge
- Sign Components Manual (SAM)



*Product images are for illustrative purposes only and may vary from actual design.

■ **Application**

- Indoor and outdoor applications

■ **Model List***(See part number scheme for model number details)

| Model Number | Input Voltage Range | Output Power | Output Voltage | Output Current Min. | Output Current Max. | Efficiency |
|----------------------|---------------------|--------------|----------------|---------------------|---------------------|---|
| LWx060-012SXV | 100~277Vac | 60W | x-12V | 0mA | 5000mA | 89%@110V 90%@220V 90%@270V |
| LWx096-012SXV | 100~277Vac | 96W | x-12V | 0mA | 8000mA | 90%@110V 91%@220V 91%@270V |
| LWx096-024SXV | 100~277Vac | 96W | 13-24V | 0mA | 4000mA | 91%@110V 92%@220V 92%@270V |
| LWx096-036SXV | 100~277Vac | 96W | x-36V | 0mA | 2660mA | 92%@110V 93%@220V 93%@270V |
| LWx096-042SXV | 100~277Vac | 96W | x-42V | 0mA | 2280mA | 93%@110V 94%@220V 94%@270V |
| LWx096-048SXV | 100~277Vac | 96W | x-48V | 0mA | 2000mA | 93%@110V 94%@220V 94%@270V |
| LWx096-054SXV | 100~277Vac | 96W | x-54V | 0mA | 1770mA | 93%@110V 94%@220V 94%@270V |

(x=Case Type: P=Plastic, S=Metal)

■ **Technical Data**

| | |
|--------------------|--|
| Load Regulation | 5% |
| Line Regulation | 1% |
| Turn-on Delay time | 2.0 sec. (Typ.) Measured at 110Vac input. / 1 sec. (Typ.) Measured at 220Vac input |

Technical Sales / Customer Service: +1-818-338-7788 • Email: sales@autec.com
31328 Via Colinas Suite 102 • Westlake Village, CA 91362 USA • www.autec.com

■ **Technical Data(cont.)**

| | |
|-----------------------------|--|
| Ripple & Noise (pk-pk) | 5% Vo Measured by 20 MHz bandwidth oscilloscope and the output paralleled with a 0.1uF ceramic capacitor and a 10uF electrolytic capacitor |
| Overshoot/Undershoot | 10% (Max.) |
| Dynamic Response | Output Deviation : 5% Vo (Max.), Settling Time : 10mS |
| Input voltage range | 100~277Vac |
| Frequency | 47~63Hz |
| Power Factor | 0.99@110Vac, 0.96@220Vac |
| Inrush current | 65A at 230Vac input, 25°C Cold Start |
| AC Current (Typ.) | 1.5A measured at full load and 100 Vac input / 0.8A at 220Vac input 25°C cold start (Typ.) |
| THD | < 20% measured at 100-277 Vac, from 75% to 100% Load |
| Leakage current | 0.25mA Measured at 277Vac 60Hz Input |
| Short circuit protection | Protection type: hiccup mode, recovers automatically after fault condition is removed |
| Over temperature protection | 110°C Maximum temperature of components inside the case Auto recovers after cooling (Optional) |
| Over voltage protection | 135% of Vo, Protection type: Latch mode, recycle AC to restart after fault condition is removed, no damage to power supply |
| Overload protection | 105% Io (Max.) Protection type: Latch mode, recycle AC to restart after fault condition is removed |
| Operating temperature | -30 ~ +70°C |
| Storage temperature | -40 ~ +80°C |
| Maximum case Temperature | 90°C (12V model is 80°C) |
| Humidity operational | 10% ~ 100%RH |
| Humidity storage | 5% to 100%RH |
| MTBF | 487,000 Hours measured at 110Vac input, 80%Load and 25°C ambient temperature (MIL-HDBK-217F) |
| Life rating | 68,000 Hours measured at 220Vac input, 80%Load and 45°C ambient temperature |
| Length (L) | See mechanical drawings |
| Width (W) | See mechanical drawings |
| Height (H) | See mechanical drawings |
| Weight | 1.2lbs(Plastic) |

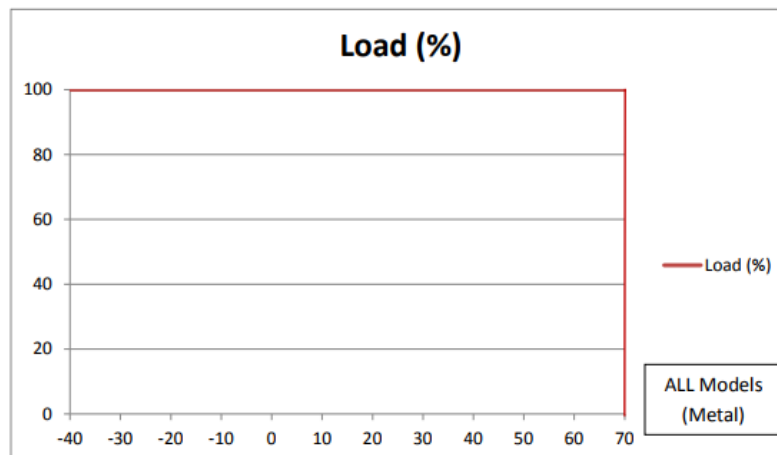
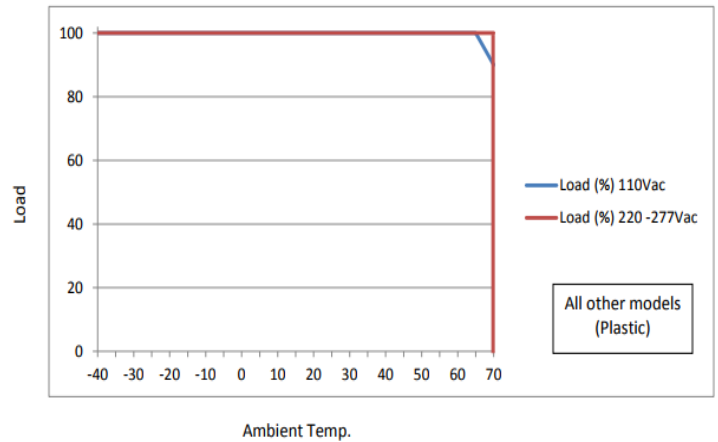
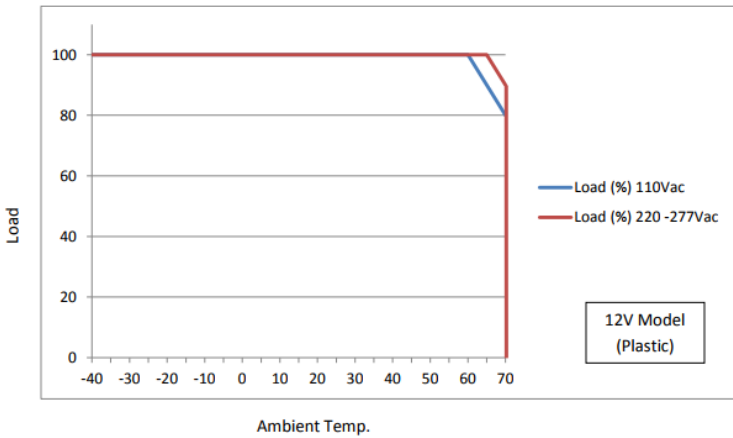
Notes:

1. Unless specified, all the test results are measured in the 25°C ambient temperature.

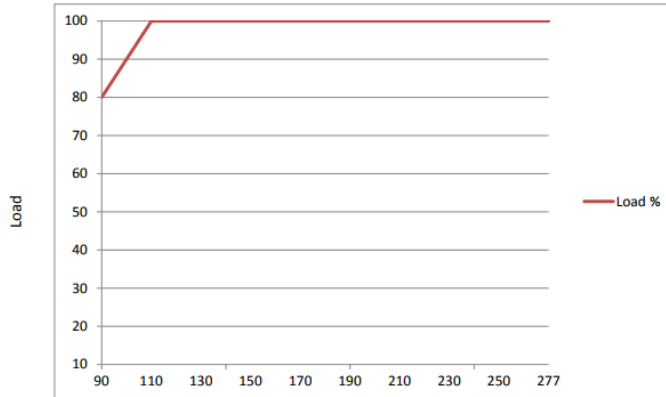
■ **Safety Compliance**

| | |
|----------------------------|---|
| Safety Standard | UL8750, Compliance to UL1012 UL1310. CAN/CSA-C22.2 No. 223, CSA-C22.2 No. 107.1, CSA-C22.2 No. 250.0-13-12, EN61347.1, EN61347-2-13 and EN60529 |
| EMI Conduction & Radiation | Meet EN55015 FCC Part 15 Class B |
| EMS Immunity | EN 61000-3-2, EN 61000-3-3, EN 61000-4-2, EN61000-4-3, EN61000-4-4, EN61000-4-5, EN 61000-4-6, EN 61000-4-8, EN 61000-4-11, EN 61547 |
| Surge | EN61000-4-2 8 kV air discharge, 4 kV contact discharge |

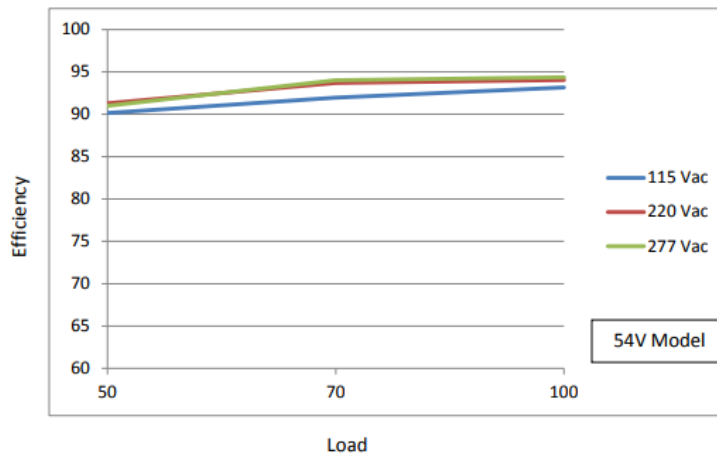
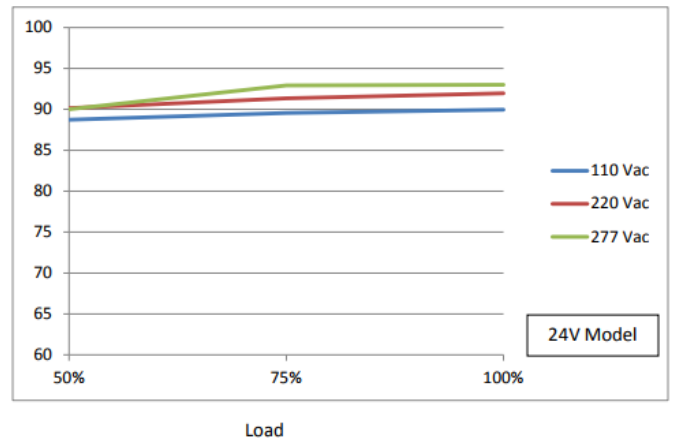
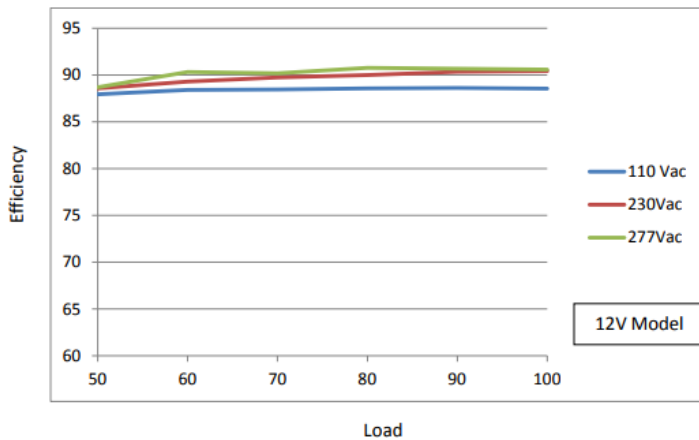
■ **Derating Curve vs. Ambient Temperature**



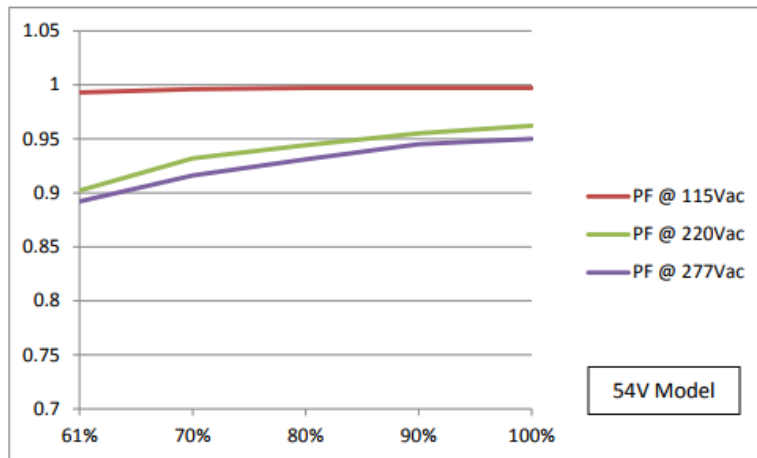
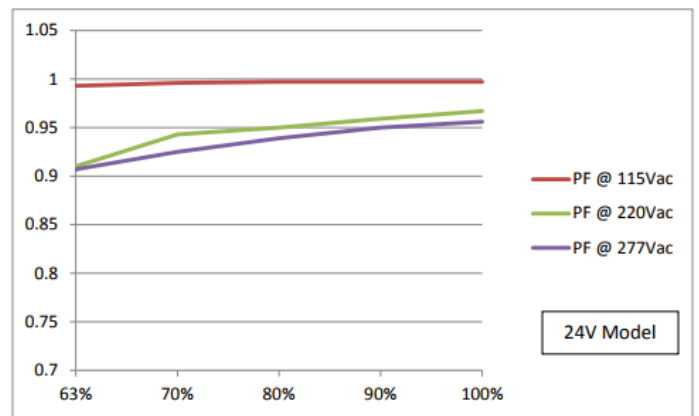
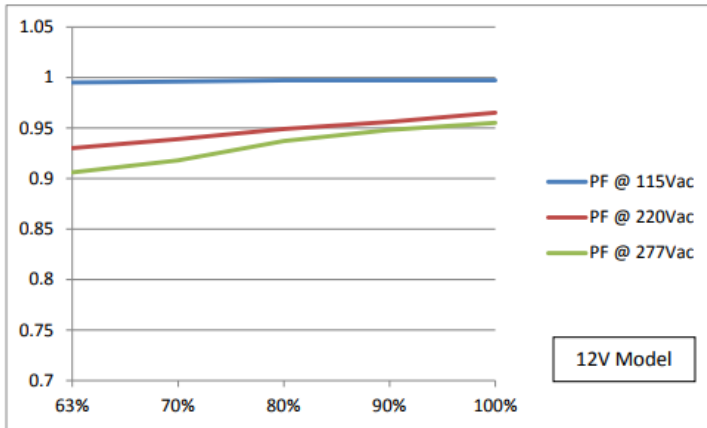
■ Derating Curve Load vs Input Voltage



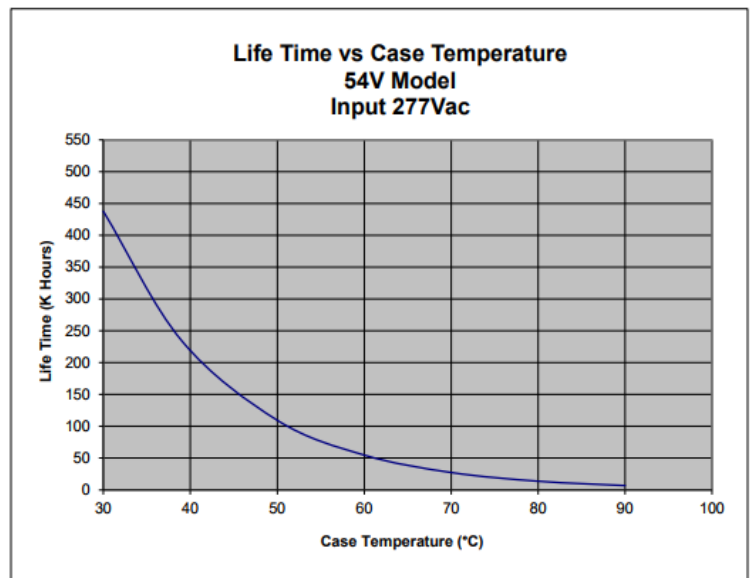
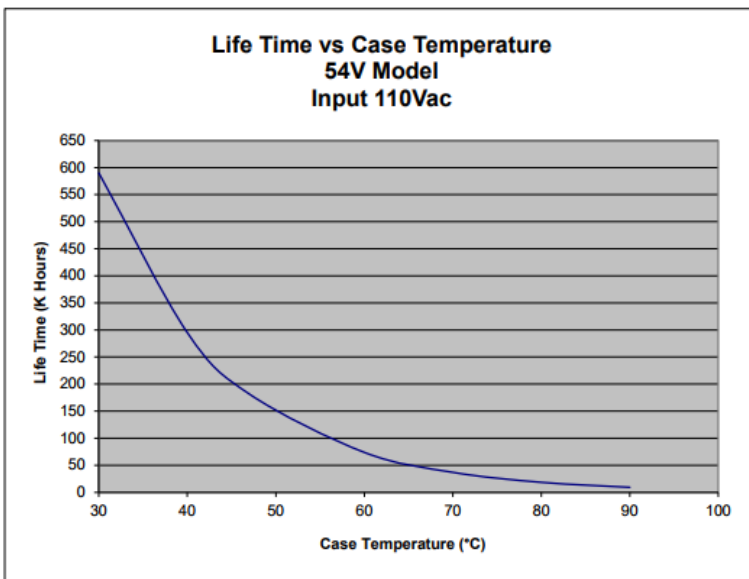
■ Efficiency vs Load



■ Power Factor vs Load

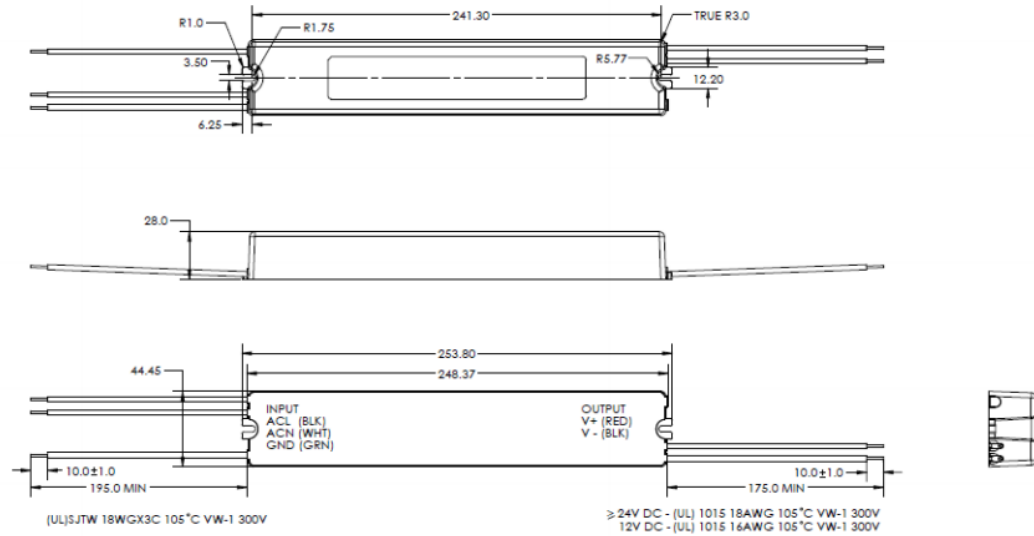


■ Lifetime vs Case Temperature

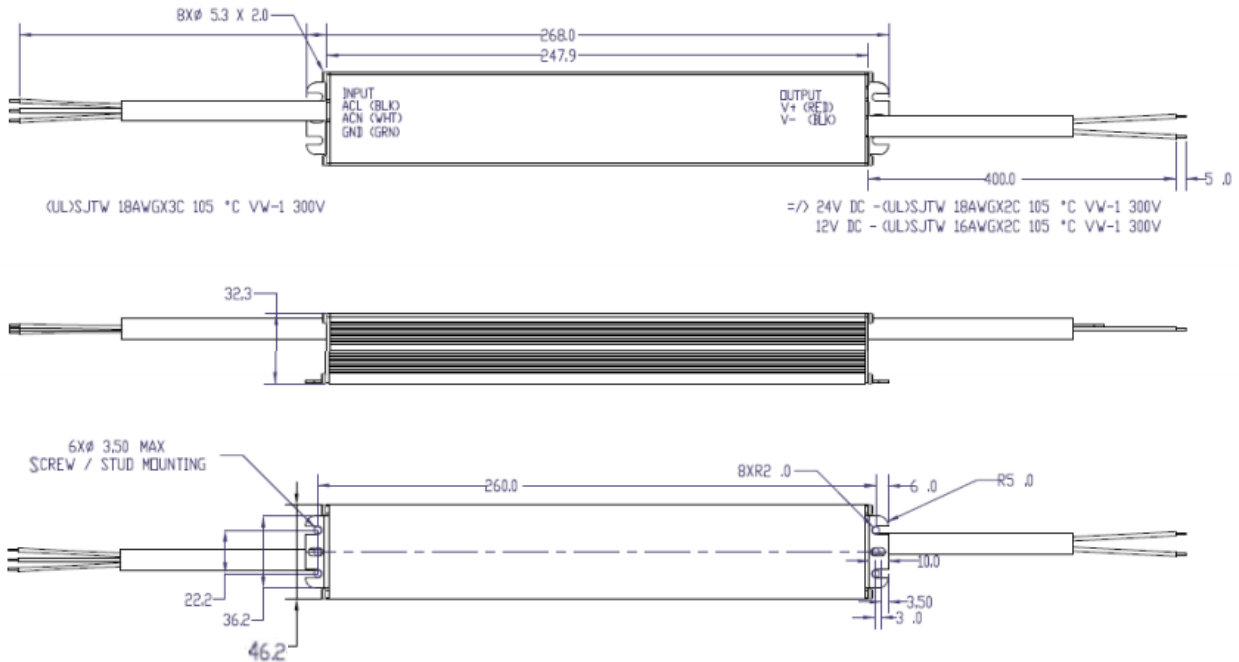


Technical Sales / Customer Service: +1-818-338-7788 • Email: sales@autec.com
 31328 Via Colinas Suite 102 • Westlake Village, CA 91362 USA • www.autec.com

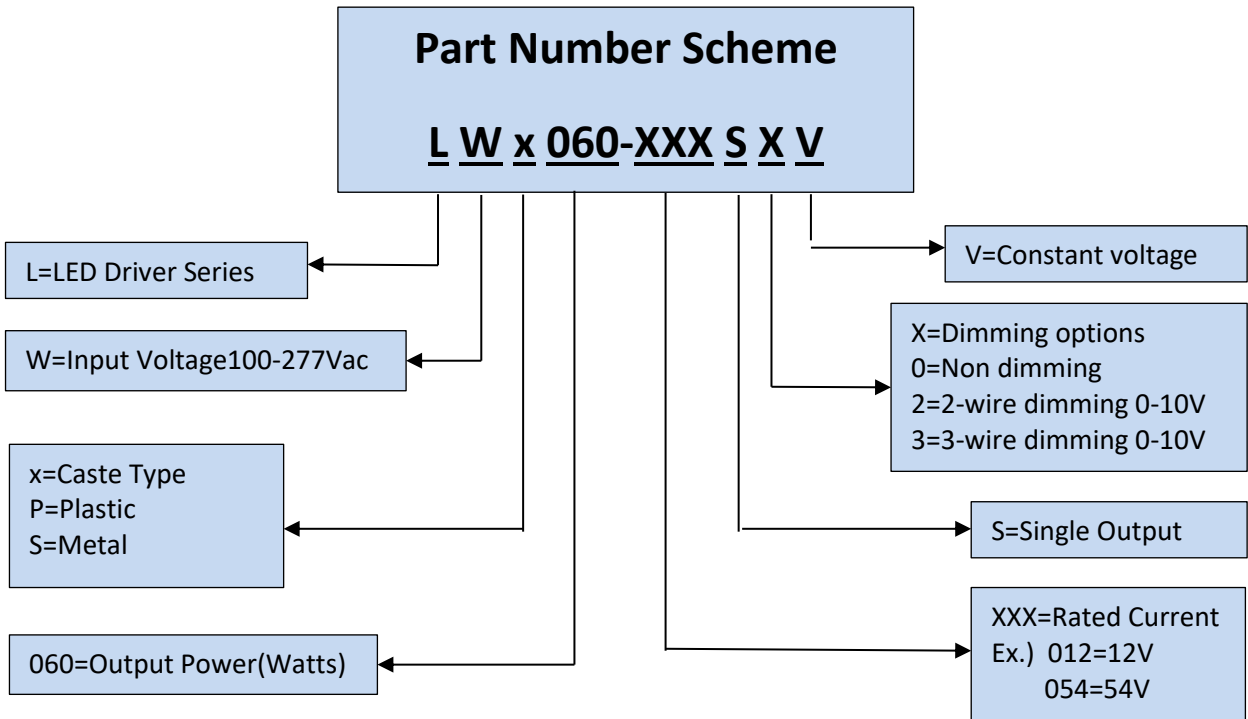
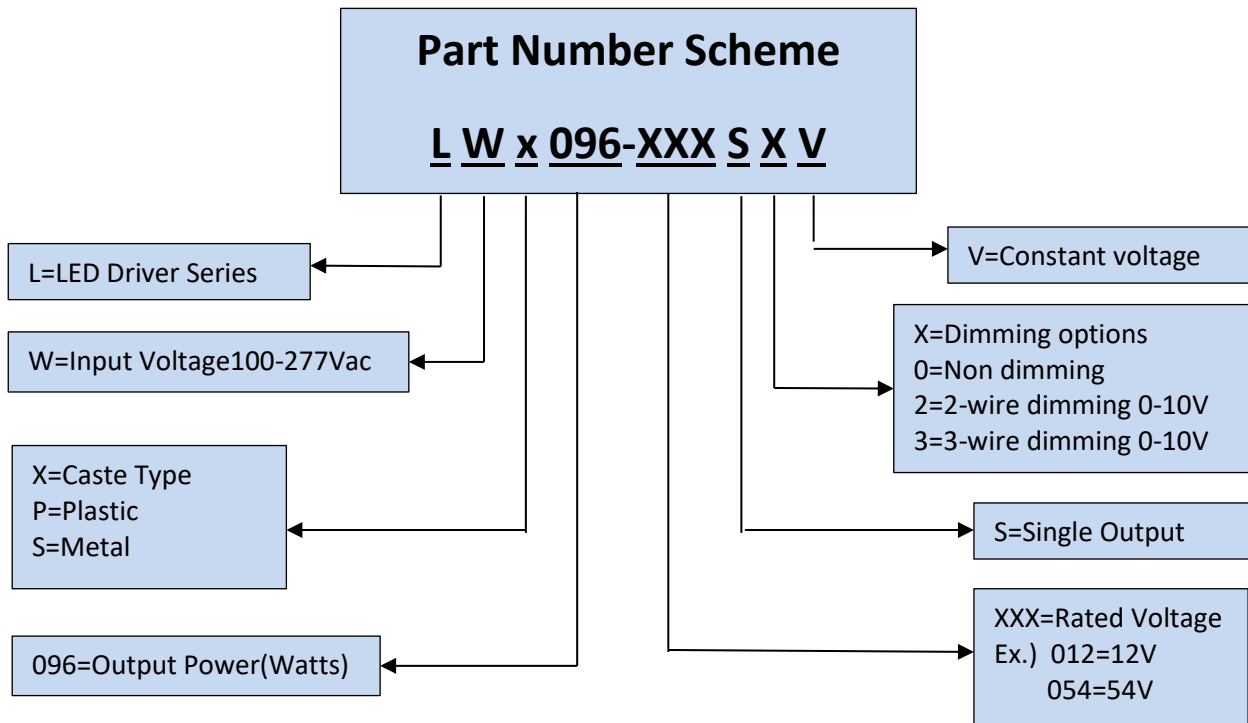
■ Mechanical Diagram Plastic Case



■ Mechanical Diagram Metal Case



Technical Sales / Customer Service: +1-818-338-7788 • Email: sales@autec.com
31328 Via Colinas Suite 102 • Westlake Village, CA 91362 USA • www.autec.com



***Product images are for illustrative purposes only and may vary from actual design.**

***Specifications are subject to change without notice. Autec is not responsible for issues arising from errors or omissions.**