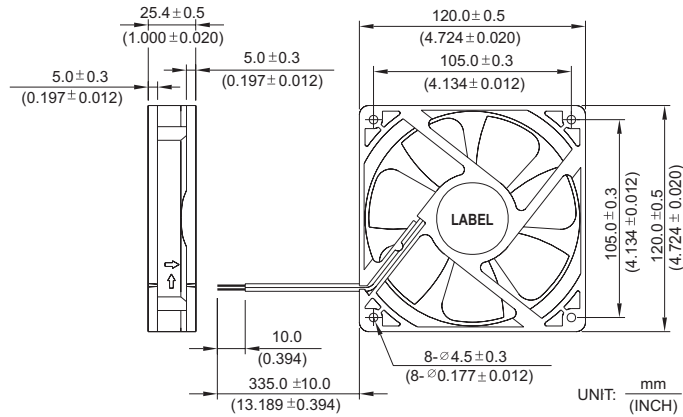


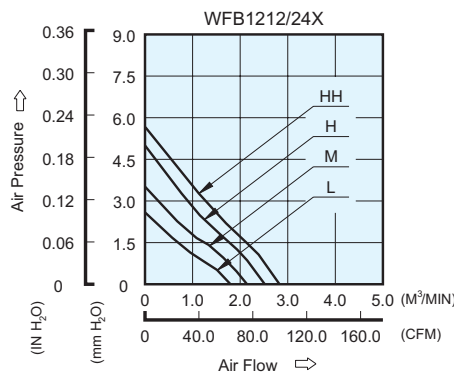
# WFB 120 x 120 x 25.4 MM SERIES

## ■ DIMENSIONS DRAWING

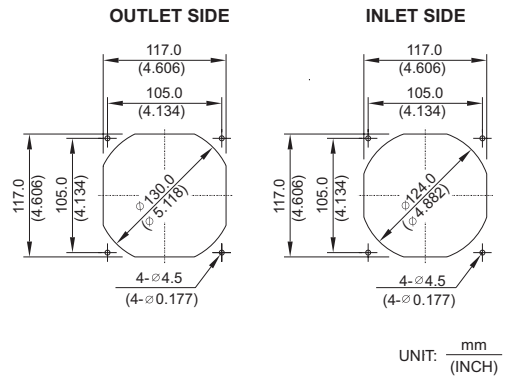


- \* Bearing Type  
Two Ball Bearings
- \* Material  
Impeller & Frame : Plastic (UL 94V-0)
- \* Lead Wires :  
UL 1007 AWG #24 Or Equivalent  
Red Wire Positive (+)  
Black Wire Negative (-)
- \* Weight : 180g (6.35 oz)

## ■ P & Q CURVE (AT RATED VOLTAGE)



## ■ MOUNTING PANEL CUTOUT



MODELS		Rated Voltage	Operating Voltage Range	Rated Current	Rated Input Power	Speed	Maximum Air Flow		Maximum Air Pressure		Noise
PART NO.	FUNCTION	VDC	VDC	Amp	Watt	R.P.M.	m <sup>3</sup> /min	CFM	mmH <sub>2</sub> O	IN H <sub>2</sub> O	dB-A
WFB1212L	-R00 / -F00	12	7.0 to 13.8	0.14	1.68	1750	1.750	61.80	2.65	0.104	30.2
WFB1224L	-R00 / -F00	24	14.0 to 27.6	0.10	2.40						
WFB1212M	-R00 / -F00	12	7.0 to 13.8	0.20	2.40	2100	2.050	72.39	3.40	0.134	34.0
WFB1224M	-R00 / -F00	24	14.0 to 27.6	0.14	3.36						
WFB1212H	-R00 / -F00	12	7.0 to 13.8	0.36	4.32	2470	2.450	86.52	4.80	0.189	37.6
WFB1224H	-R00 / -F00	24	14.0 to 27.6	0.20	4.80						
WFB1212HH	-R00 / -F00	12	7.0 to 13.8	0.61	7.32	2800	2.700	95.35	5.60	0.220	42.5
WFB1224HH	-R00 / -F00	24	14.0 to 27.6	0.26	6.24						

\* Function type is optional.  
 \* The max. air flow and the speed are measured in free air ; max. air pressure is measured at zero air flow.  
 \* Noise is measured in anechoic chamber in free air, one meter from intake side.  
 \* All readings are typical values at rated voltage.  
 \* Specifications are subject to change without notice.