

38mm sq.

San Ace 38

28mm thick (GV type)



General Specifications With a pulse sensor Specifications for pulse sensors ⇔ Refer to Page 309

- Material Frame: Plastics (Flammability: UL94V-0),
Impeller: Plastics (Flammability: UL94V-1)
- Expected Life Varies for each model (L10: Survival rate: 90% at 60°C, rated voltage, and continuously run in a free air state)
- Lead Wire ⊕ red ⊖ black Sensor yellow
- Storage Temperature -30°C to +70°C (Non-condensing)

38×38×28mm (Mass : 50g)

GV type

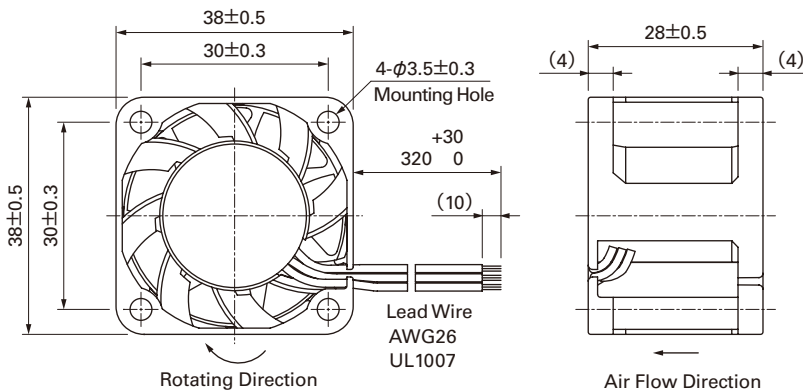
Specifications To order a ribless type, replace the last digits of a model number with digits in parenthesis.

Model No.	Rated Voltage [V]	Operating Voltage Range [V]	Rated Current [A]	Rated Input [W]	Rated Speed [min ⁻¹]	Max. Air Flow [m ³ /min] [CFM]	Max. Static Pressure [Pa] [inchH ₂ O]	SPL [dB(A)]	Operating Temperature [°C]	Expected Life [h]
9GV0312K301(3011)	12	7 to 13.2	0.79	9.48	18,200	0.65 23	425 1.707	59	-10 to +60	40,000
9GV0312J301(3011)			0.6	7.2	15,900	0.57 20	315 1.265	54		
9GV0312G301(3011)			0.4	4.8	13,500	0.48 17	220 0.924	50		
9GV0312E301(3011)		4.5 to 13.2	0.21	2.52	10,500	0.37 13.1	130 0.522	43		
9GV0312H301(3011)			0.16	1.92	7,000	0.24 8.5	60 0.241	34		

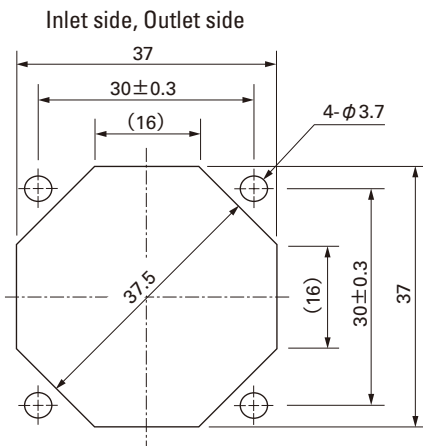
Without Sensor Pulse Sensor Available upon request for all the models above.

Lock Sensor PWM Control Please inquire as the availability of these functions depend on the model.

Dimensions (Unit : mm) (With ribs)



Reference dimension of mounting holes and vent opening (Unit : mm)

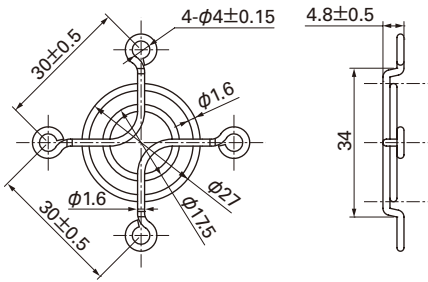


Options (Unit : mm)

Finger guards

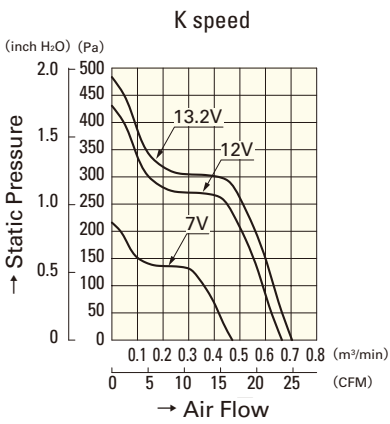
Model : 109-1065 Surface treatment : Nickel-chrome plating (silver) Color

Inlet side, Outlet side

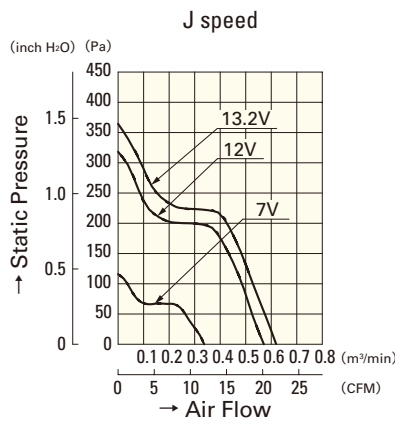


DC Fan 38mm

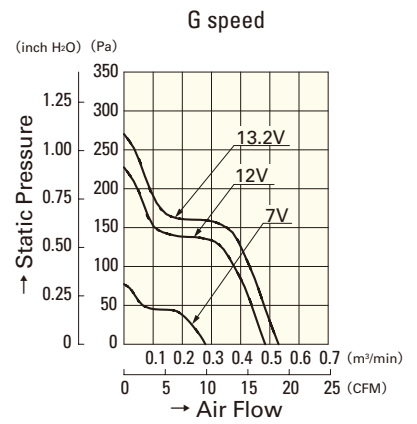
Air Flow - Static Pressure Characteristics



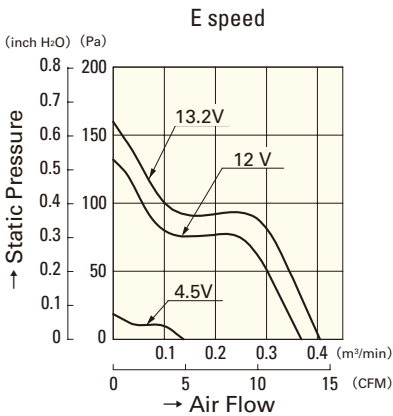
9GV0312K301(3011)



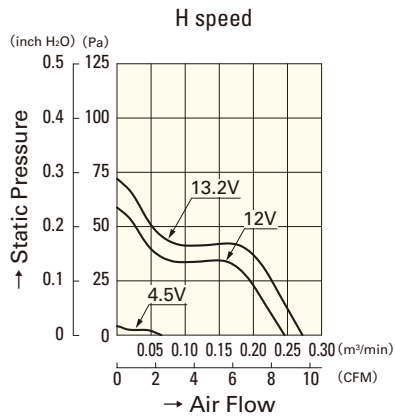
9GV0312J301(3011)



9GV0312G301(3011)



9GV0312E301(3011)



9GV0312H301(3011)

38mm