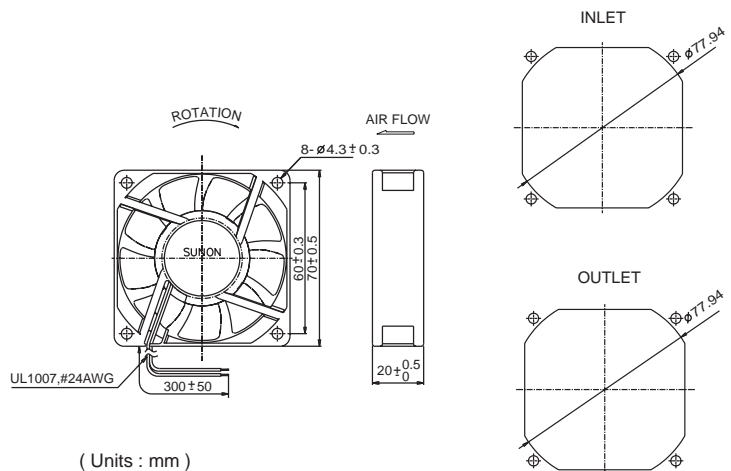
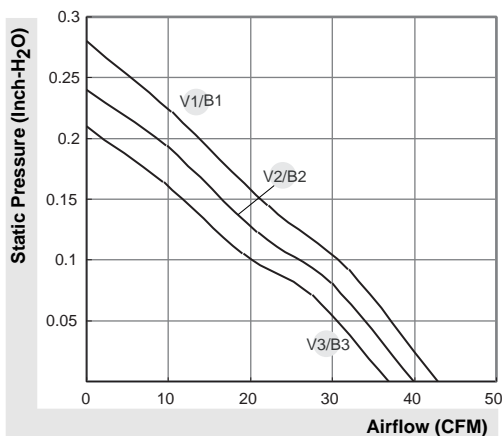


MagLev Power Motor Fan

37~43 CFM



Model	P/N	Bearing ● VAPO ⊕ 2BALL	Rating Voltage (VDC)	Power Current (AMP)	Power Consumption (WATTS)	Speed (RPM)	Air Flow (CFM)	Static Pressure (Inch-H ₂ O)	Noise (dBA)	Weight (g)
PMD1207PKV1-A	GN	●	12	0.39	4.7	4600	43	0.28	41.5	80
PMD1207PKV2-A	GN	●	12	0.31	3.7	4300	40	0.24	40.0	80
PMD1207PKV3-A	GN	●	12	0.26	3.1	4000	37	0.21	37.5	80
PMD1207PKB1-A	(2).GN	⊕	12	0.39	4.7	4600	43	0.28	42.5	80
PMD1207PKB2-A	(2).GN	⊕	12	0.31	3.7	4300	40	0.24	41.0	80
PMD1207PKB3-A	(2).GN	⊕	12	0.26	3.1	4000	37	0.21	38.5	80
PMD2407PKV1-A	GN	●	24	0.21	5.0	4600	43	0.28	41.5	80
PMD2407PKV2-A	GN	●	24	0.17	4.1	4300	40	0.24	40.0	80
PMD2407PKV3-A	GN	●	24	0.14	3.4	4000	37	0.21	37.5	80
PMD2407PKB1-A	(2).GN	⊕	24	0.21	5.0	4600	43	0.28	42.5	80
PMD2407PKB2-A	(2).GN	⊕	24	0.17	4.1	4300	40	0.24	41.0	80
PMD2407PKB3-A	(2).GN	⊕	48	0.14	3.4	4000	37	0.21	38.5	80



*All model could be customized on voltage or any other requirements to fit your need.

*Specifications subject to change without notice. Please Visit SUNON web site at <http://www.sunon.com> for update information.