

# 38x38x28 mm

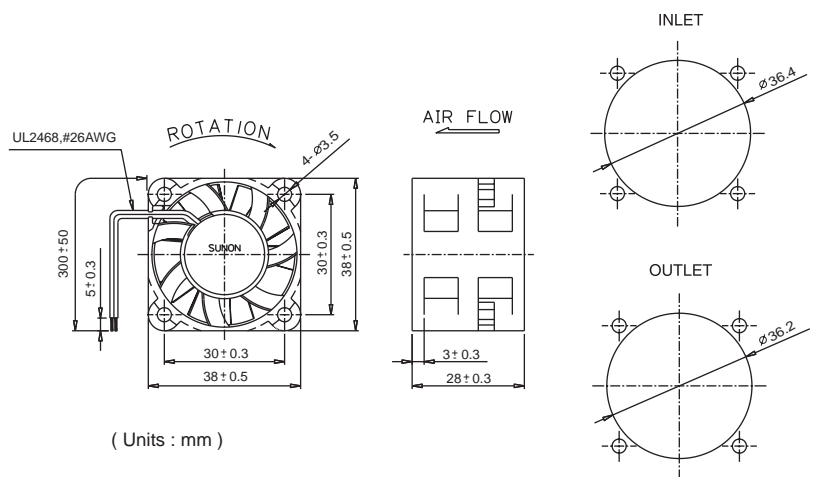
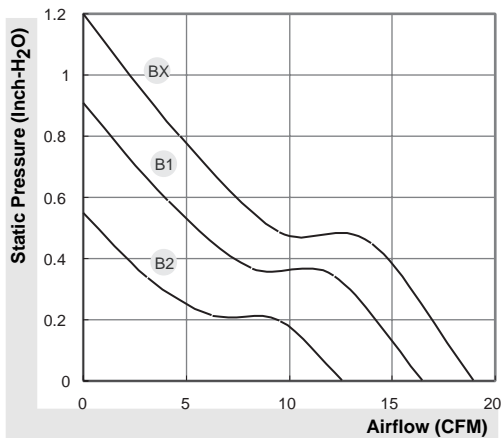
# SUNON

## Power Motor Fan

## 12.6~19.0 CFM



Model	P/N	Bearing ● VAPO ⊕ 2BALL	Rating Voltage (VDC)	Power Current (AMP)	Power Consumption (WATTS)	Speed (RPM)	Air Flow (CFM)	Static Pressure (Inch-H <sub>2</sub> O)	Noise (dBA)	Weight (g)
PMD1238PQBX-A	(2).GN	⊕	12	0.48	5.8	15000	19.0	1.20	52.0	35.2
PMD1238PQB1-A	(2).GN	⊕	12	0.30	3.6	13000	16.5	0.91	47.0	35.2
PMD1238PQB2-A	(2).GN	⊕	12	0.19	2.3	10000	12.6	0.55	42.0	35.2



\*All model could be customized on voltage or any other requirements to fit your need.

\*Specifications subject to change without notice. Please Visit SUNON web site at <http://www.sunon.com> for update information.