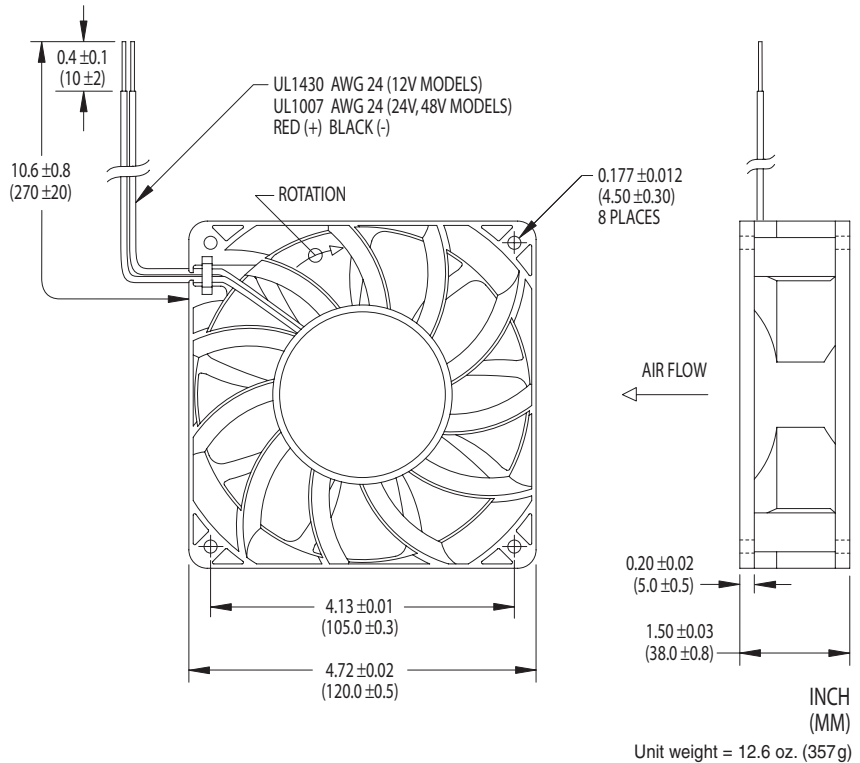


# 120×38mm



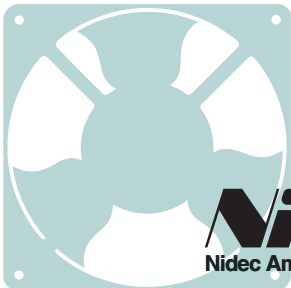
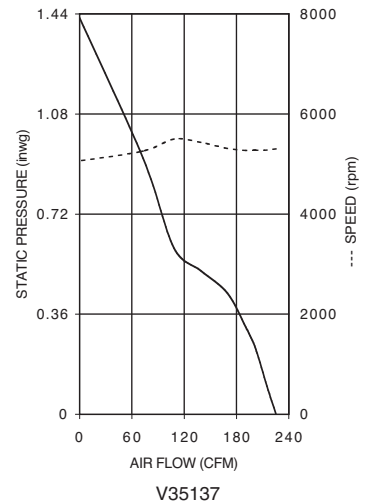
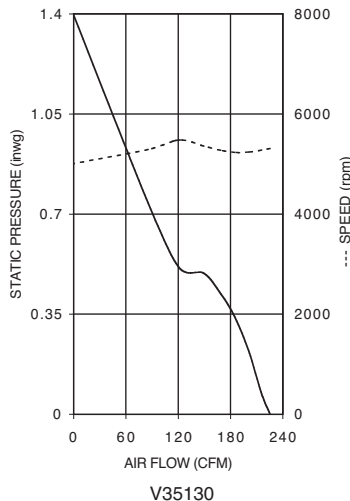
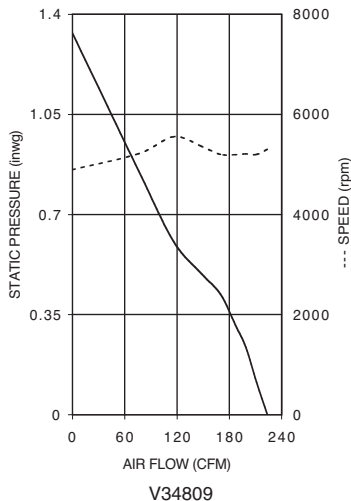
- ▶ Advanced Vane Axial Design for Optimal Air Delivery at Elevated Pressure Levels
- ▶ Polarity Protected
- ▶ Alarm/Tachometer/Thermal Control/Speed Control Options Available
- ▶ Strut Side Discharge
- ▶ Permanently Lubricated Ball Bearings
- ▶ Sound-Absorbing Thermoplastic Frame and Impeller Rated V-0



## VA450DC Series—Electrical and Mechanical Characteristics

Model	Air Flow (CFM)	Operating Voltage		Current (mA)	Power (W)	Sound Level		Fan Speed (rpm)	Bearing	Operating Temp.	
		Nom. (V)	Range (V)			Pressure (dBA)	NPEL (Bels)			Min. (°C)	Max. (°C)
V34809	220	12	10.2-13.8	3300	39.6	64.8	7.9	5,300	Ball	-10	+70
V35130	220	24	20.4-27.6	1700	40.8	64.8	7.9	5,300	Ball	-10	+70
V35137	220	48	36.0-56.0	850	40.8	64.8	7.9	5,300	Ball	-10	+70

Note: Air flow, current, power, speed and sound level ratings are at nominal voltage against zero static pressure. NPEL = Noise Power Emission Level. Power termination and signal options are designated by two-digit suffixes added to the model names. For color-coded 270mm power leads with stripped ends, add "-16" to the model number.



**Nidec**  
Nidec America Corporation

phone 781-848-0970 · email fans@nidecamerica.com · www.nidecamerica.com